

CEA[®]

YUEQING HUATONG PLASTIC CO.,LTD

Product Selection Manual

产品选型手册

—
专注防水塑料箱体



乐清市华通塑料制品有限公司

YUEQING HUATONG PLASTIC CO.,LTD

地址：浙江省乐清市磐石镇珠城西路198号领宇大厦
No.198, Lingyu Mansion, Zhucheng West Road,
Panshi Town, Yueqing City, Zhejiang, China

☎ +86 139 0587 9233

Tel:+86-577-61789668 +86-577-62731635

www.ceaworld.com Fax:+86-577-61789669

E-mail:anlen@ceaworld.com

对本手册所包含的内容,和鸿电气股份有限公司拥有最终解释权,更多详细资料
敬请垂询本公司工程技术人员竭诚为您服务,因产品技术不断创新,请以实物或说明书为准;
如有变更,届时恕不另行通知。

CEA[®]

乐清市华通塑料制品有限公司

YUEQING HUATONG PLASTIC CO.,LTD



CEA[®]

YUEQING HUATONG PLASTIC CO.,LTD

公司简介

COMPANY
PROFILE

乐清市华通塑料制品有限公司是一家集研发、生产、销售尼龙扎带中高端防水配电箱、接线盒、工业接插装置、塑料防水防坐接线盒、塑料密封箱、塑料防水配电箱、移动电源箱、手提插座箱的厂家。

我们坚持:专业、专一、专注,公司成立至今,锐意创新、高效服务是我们的责任;资源整合、不断突破是我们的前进的方向,致力于客户成功是我们服务的宗旨。

Yueqing huatong plastic co.,ltd is a company integrating R&D, production and sales of high-end waterproof distribution boxes, junction boxes, industrial connectors, plastic waterproof and dustproof function boxes, plastic sealed boxes plastic waterproof distribution boxes, mobile power boxes, Manufacturer of portable socketboxes.

We insist on: professionalism, single-mindedness, and concentration. Since the establishment of the company, innovation and efficient service are our responsibility; resource integration and continuous breakthrough are our forwardirection; commitmentto customer success is the purpose of our service;





生产设备

PRODUCTION EQUIPMENT

品质为本, 诚信经营, 科技与设备的精妙结合缔造了华通塑料坚实的品质基础。稳定的员工团队。精细的生产管理。

规范的作业流程, 和鸿实现了高效, 稳定的生产。华通塑料制定了完善的品质管理流程, 到各环节都进行严密监控, 保证了产品质量的稳定可控。

华通塑料致力于打造电气行业一流水平的行业楷模。



CEA[®]

乐清市华通塑料制品有限公司
YUEQING HUATONG PLASTIC CO.,LTD

Contents 总目录



01-07

AG-塑料防水盒
AG-Plastic
waterproof box



08-10

HT-防水配电箱
HT-Waterproof



11-12

HA-防水配电箱
HA-Waterproof
distribution box



13-17

新型专业插座箱
New professional
socket box



18-22

透明保护窗罩
Transparent contact protective
window hood



23-28

全塑密封箱
Full-plastic
sealed box

Contents 总目录



29-31

不锈钢扣合页型电气盒
Stainless steel
hinge type electrical box



32-39

手提式插座配电箱
Portable socket
distribution box



40-43

铸铝密封盒
Cast aluminum
seal box



44-49

经济型防水接线盒
Economical
Waterproof junction box



50-52

经济插座箱
Economical
socket box



53-69

工业插头插座
HT-Waterproof
distribution box

A

B

C

D

E

F

G

H

I

J

K

L

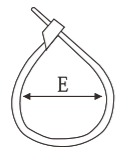
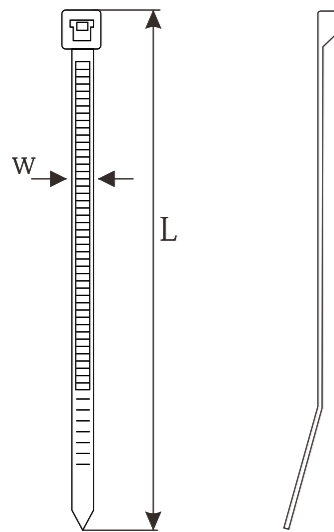
自锁式尼龙扎带 Self-locking nylon cable ties

材质：采用UL认证的PA66料制成，防火等级94-2，耐酸、耐蚀、绝缘性良好，不易老化，承受力强。

操作温度：-35℃-85℃。

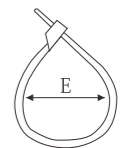
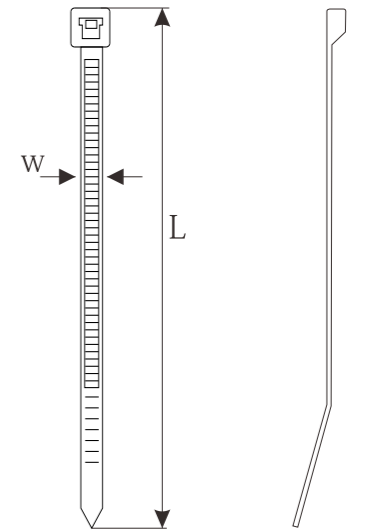
颜色：标准颜色为本色（白色），另有抗紫外线之黑色，特殊颜色欢迎订做。

型号规格 Item No.	长(L)		宽(W) (mm)	捆扎范围 Bundle Diameter E (mm)	拉力 Min. loop Tensile Strength	
	inch	mm			LBS	KGS
CA-3x60	2 3/8"	60	2.5	2-11	18	8
CA-3x80	3 3/16"	80	2.5	2-16	18	8
CA-3x100	4"	100	2.5	2-22	18	8
CA-3x120	4 3/4"	120	2.5	2-30	18	8
CA-3x150	6"	150	2.5	2-35	18	8
CA-3x180	7"	180	2.5	2-42	18	8
CA-3x200	8"	200	2.5	2-50	18	8
CA-4x120	4 3/4"	120	3.6	3-30	40	18
CA-4x150	6"	150	3.6	3-35	40	18
CA-4x180	7"	180	3.6	3-42	40	18
CA-4x200	8"	200	3.6	3-50	40	18
CA-4x250	10"	250	3.6	3-65	40	18
CA-4x280	11"	280	3.6	3-70	40	18
CA-4x300	11 5/8"	300	3.6	3-80	40	18
CA-4x350	13 3/4"	350	3.6	3-90	40	18
CA-4x370	14 1/2"	370	3.6	3-102	40	18
CA-4x400	15 3/4"	400	3.6	3-105	40	18
CA-5x120	4 3/4"	120	4.8	3-24	50	22
CA-5x180	7"	180	4.8	3-42	50	22
CA-5x200	8"	200	4.8	3-50	50	22
CA-5x250	10"	250	4.8	3-65	50	22
CA-5x280	11"	280	4.8	3-70	50	22
CA-5x300	11 5/8"	300	4.8	3-82	50	22
CA-5x350	13 3/4"	350	4.8	3-90	50	22



自锁式尼龙扎带 Self-locking nylon cable ties

型号规格 Item No.	长(L)		宽(W) (mm)	捆扎范围 Bundle Diameter E (mm)	拉力 Min. loop Tensile Strength	
	inch	mm			LBS	KGS
CA-5x370	14 1/2"	370	4.8	3-102	50	22
CA-5x400	15 3/4"	400	4.8	3-105	50	22
CA-5x450	17 3/4"	450	4.8	3-130	50	22
CA-5x500	19 11/16"	500	4.8	3-150	50	22
CA-8x150	6"	150	7.2	3-33	100	46
CA-8x180	7"	180	7.2	3-42	100	46
CA-8x200	8"	200	7.2	3-50	100	46
CA-8x250	10"	250	7.2	4-63	120	55
CA-8x270	10 5/8"	270	7.2	4-65	120	55
CA-8x300	11 5/8"	300	7.2	4-82	120	55
CA-8x350	13 3/4"	350	7.2	4-90	120	55
CA-8x370	14 1/2"	370	7.2	4-98	120	55
CA-8x400	15 3/4"	400	7.2	4-105	120	55
CA-8x450	17 3/4"	450	7.2	4-118	120	55
CA-8x500	19 11/16"	500	7.2	4-150	120	55
CA-8x550	21 11/16"	550	7.2	4-160	135	55
CA-8x750	29 9/16"	750	7.2	4-220	175	55
CA-10x550	21 11/16"	550	9.0	8-160	175	80
CA-10x650	25 9/16"	650	9.0	8-190	175	80
CA-10x700	27 1/2"	700	9.0	10-205	175	80
CA-10x800	31 1/2"	800	9.0	10-225	175	80
CA-10x920	36 1/4"	920	9.0	10-265	175	80
CA-10x1000	40 1/6"	1000	9.0	10-295	175	80
CA-10x1150	45 1/4"	1150	9.0	10-310	175	80
CA-10x1350	53"	1350	9.0	10-380	175	80
CA-12x300	11 5/8"	300	12.0	12-85	250	114
CA-12x400	15 3/4"	400	12.0	12-105	250	114
CA-12x500	19 11/16"	500	12.0	12-150	250	114
CA-12x650	25 9/16"	650	12.0	14-190	250	114
CA-12x750	29 9/16"	720	12.0	10-220	250	114



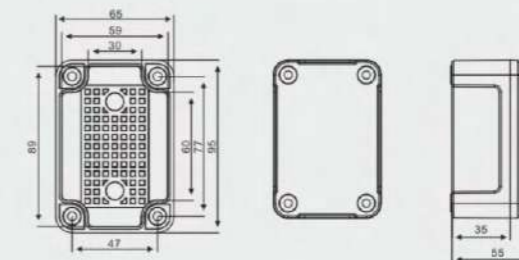
AG-塑料防水盒 AG-Plastic waterproof box

- 采用全新ABS材料, 适用于防水、防尘、防腐蚀等户外特殊场合
Using brand-new ABS material, suitable for outdoor special occasions such as waterproof, dustproof, and anti-corrosion
- 符合标准: RoHS、CE、IP67、IK08
Compliant with standards: RoHS, CE, IP67, IK08
- 规格齐全, 安装方便, 随意定制开孔
Complete specifications, easy installation, free custom opening
- 灰色盖、透明盖两种可选, 量大可定制其他颜色
Two options of gray cover and transparent cover, other colors can be customized for large quantities

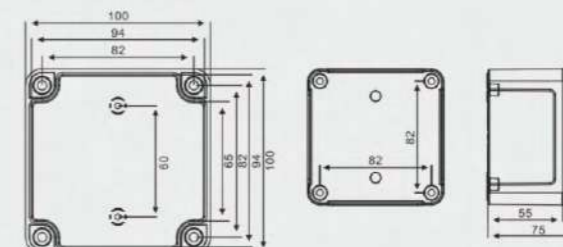


AG-塑料防水盒 AG-Plastic waterproof box

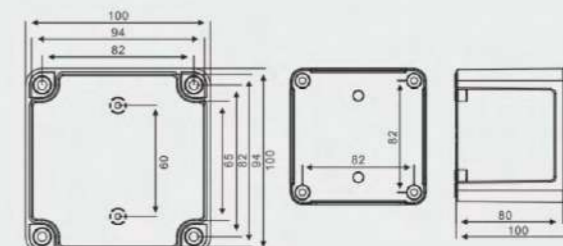
订货号: HS060905 Order Code
95×65×55mm



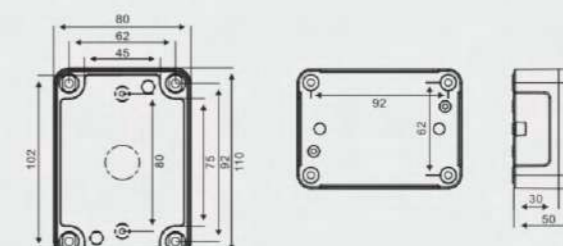
订货号: HS101007 Order Code
100×100×75mm



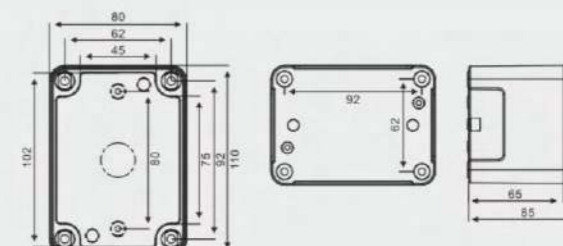
订货号: HS101010 Order Code
100×100×75mm



订货号: HS081105 Order Code
110×80×50mm



订货号: HS081108 Order Code
110×80×85mm



AG-塑料防水盒

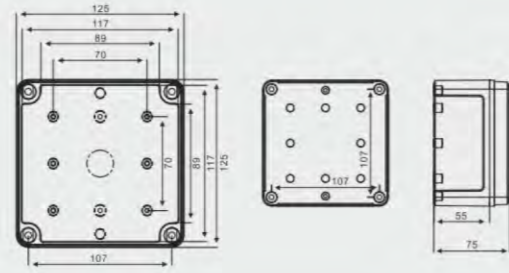
AG-Plastic waterproof box

AG-塑料防水盒

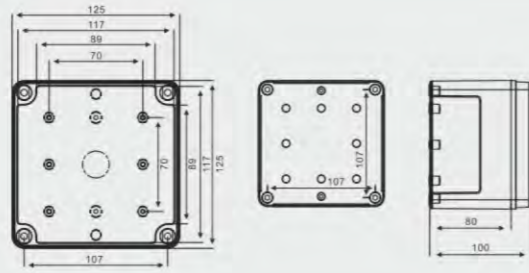
AG-Plastic waterproof box

A

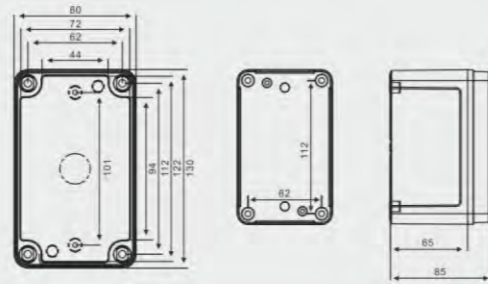
订货号: HS121207 Order Code
125×125×75mm



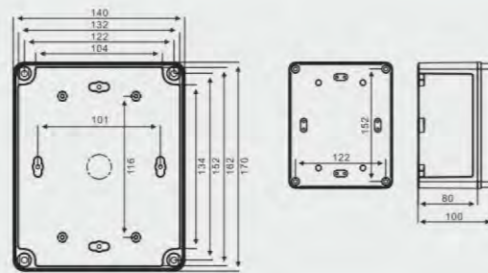
订货号: HS121210 Order Code
125×125×100mm



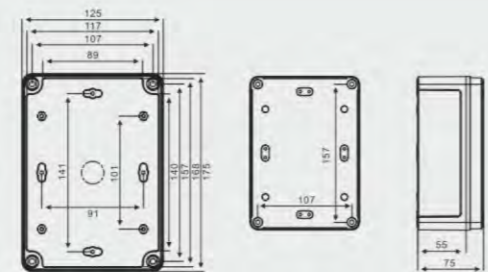
订货号: HS 081308 Order Code
130×80×85mm



订货号: HS141710 Order Code
170×140×100mm



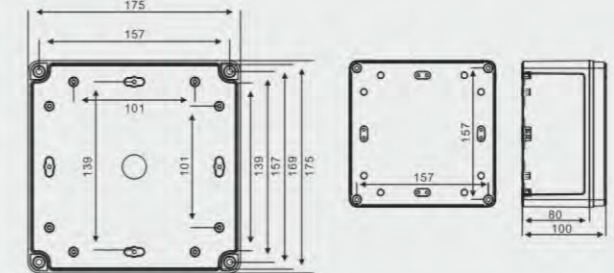
订货号: HS121707 Order Code
175×125×75mm



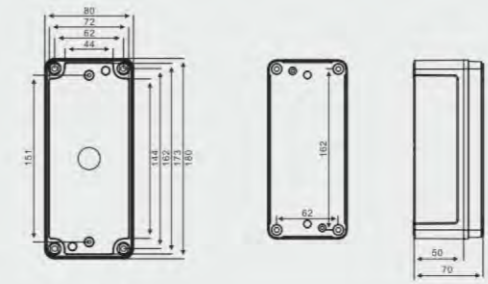
订货号: HS121710 Order Code
175×125×100mm



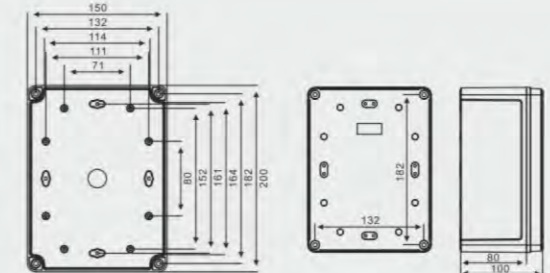
订货号: HS171710 Order Code
175×175×100mm



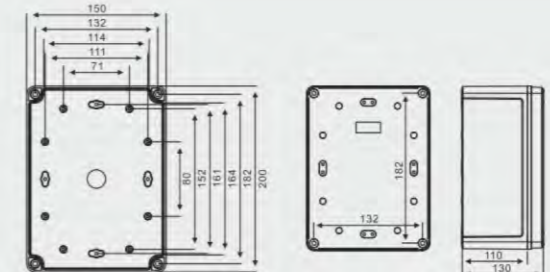
订货号: HS081807 Order Code
180×80×70mm



订货号: HS152010 Order Code
200×150×100mm



订货号: HS152013 Order Code
200×150×130mm

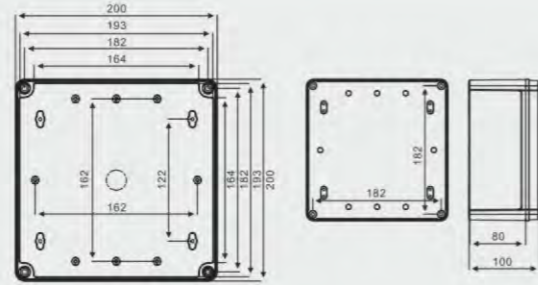


A

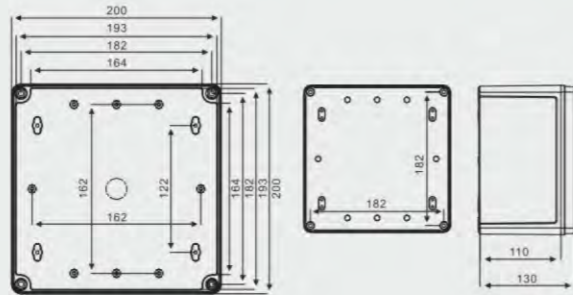
AG-塑料防水盒
AG-Plastic waterproof box

A

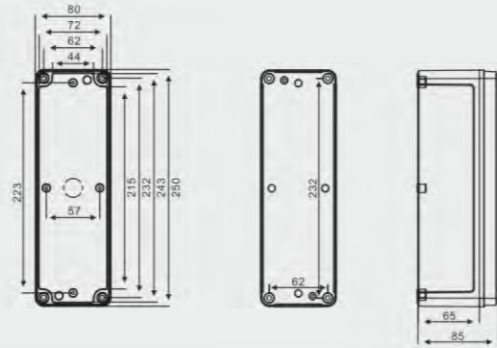
订货号: HS202010 Order Code
200×200×100mm



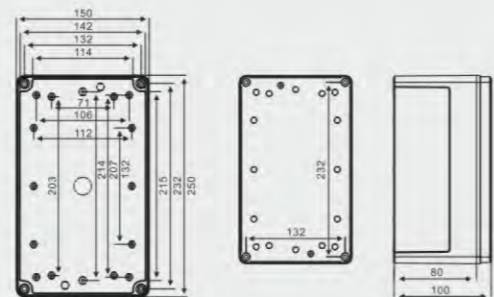
订货号: HS202013 Order Code
200×200×130mm



订货号: HS082508 Order Code
80×250×85mm

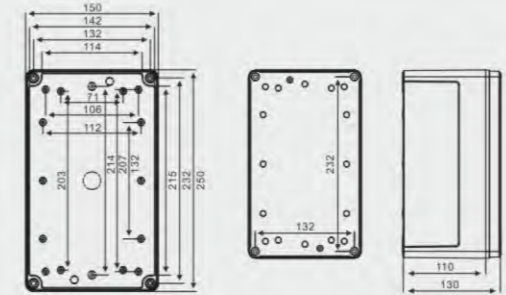


订货号: HS152510 Order Code
150×250×100mm

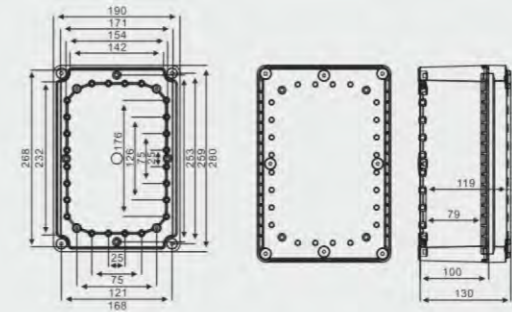


AG-塑料防水盒
AG-Plastic waterproof box

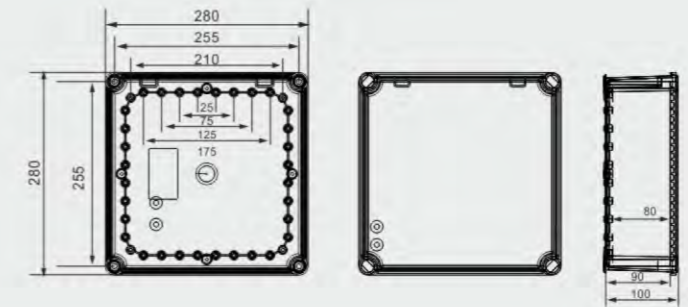
订货号: HS152513 Order Code
150×250×130mm



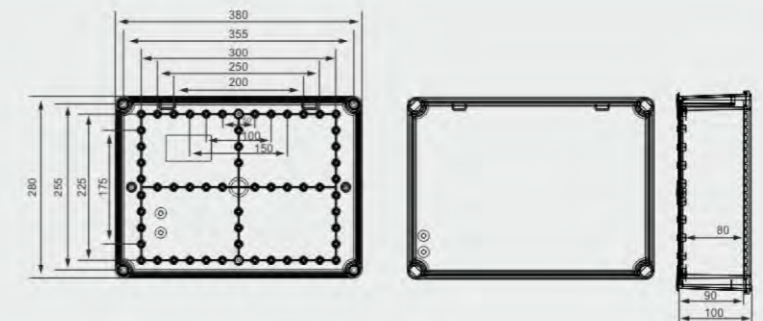
订货号: HS192813 Order Code
190×280×130mm



订货号: HS383813 Order Code
280×280×130mm



订货号: HS283813 Order Code
280×380×130mm



A

AG-塑料防水盒

AG-Plastic waterproof box

A



* 部分开孔展示效果图
Partial opening display renderings.



* 可定制开孔、可激光可刻字。
Can be customized to open holes,
laser can be engraved.

CEA®

YUEQING HUATONG PLASTIC CO.,LTD

HT-防水配电箱

HT-Waterproof distribution box

- 适用于防水、防尘、防腐蚀等特殊场合
It is applicable for special waterproof, dustproof and corrosion-proof locations
- 符合标准: IEC60529、EN 60309、IP65
Executive standard: IEC60529、EN 60309、IP65

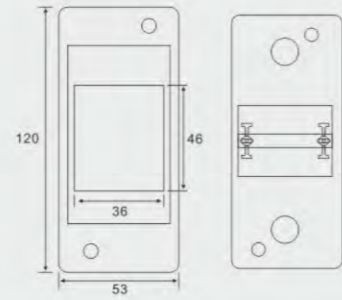


* 可安装C45插座
C45 Socket can be installed

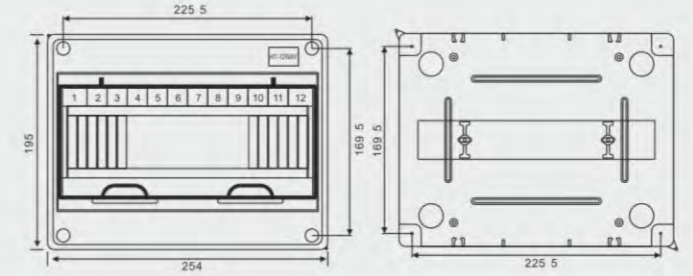
HT-防水配电箱

HT-Waterproof distribution box

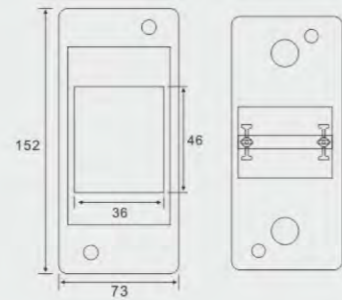
订货号: HT2
Order Code



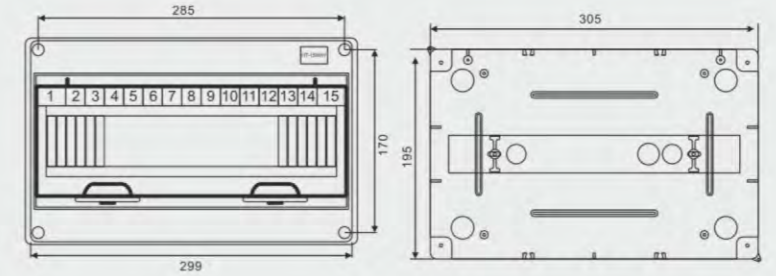
订货号: HT12
Order Code



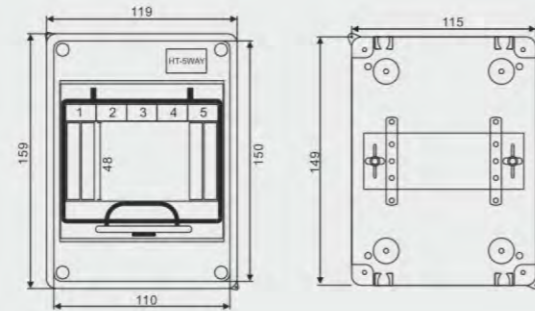
订货号: HT3
Order Code



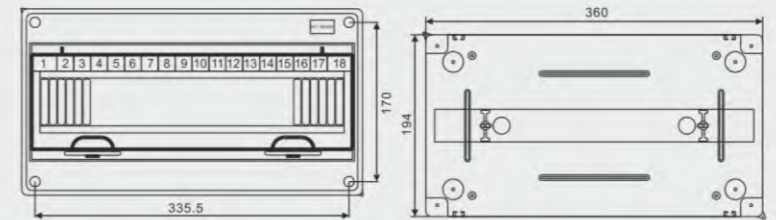
订货号: HT15
Order Code



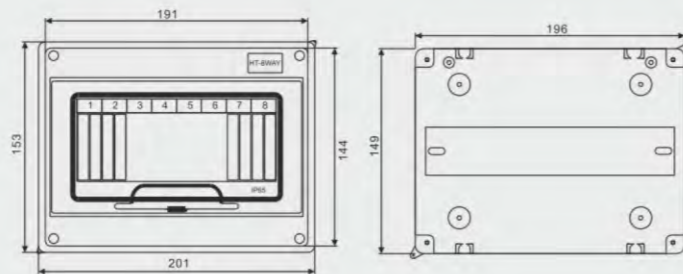
订货号: HT5
Order Code



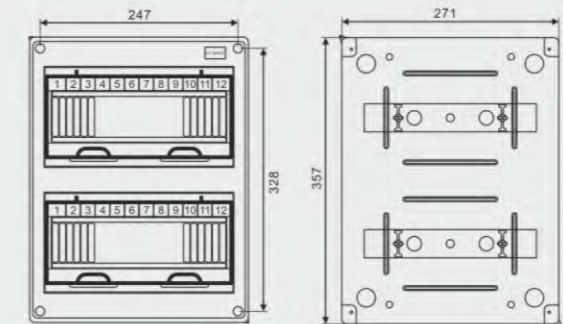
订货号: HT18
Order Code



订货号: HT8
Order Code



订货号: HT24
Order Code




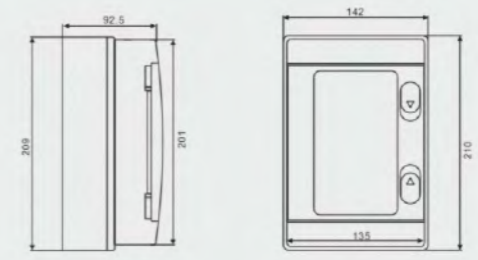

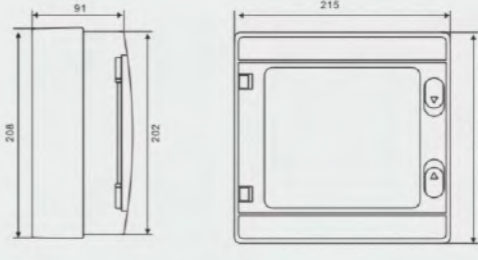

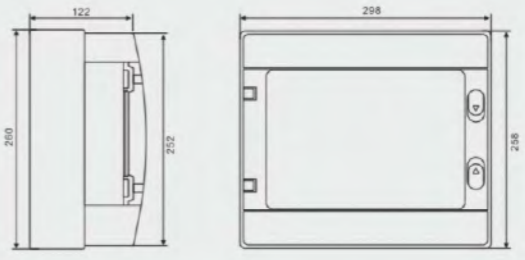

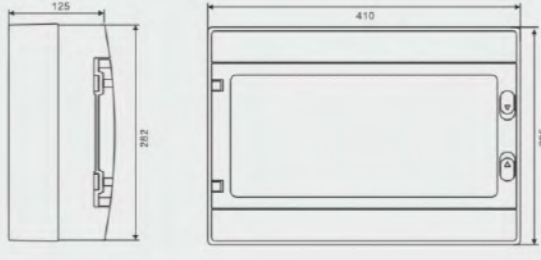

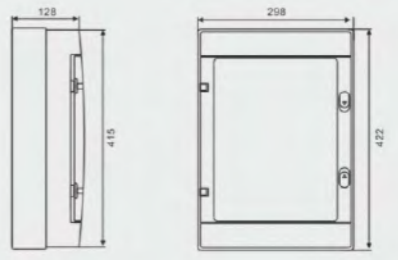
HA-防水配电箱 HA-Waterproof distribution box

- 适用于防水、防尘、防腐蚀等特殊场合
It is applicable for special waterproof, dustproof and corrosion-proof locations
- 符合标准: IEC60529、EN 60309、IP65
Executive standard: IEC60529、EN 60309、IP65



* 可安装C45插座
C45 Socket can be installed

HA-防水配电箱 HA-Waterproof distribution box

<p>订货号: HA4 Order Code</p> 	
<p>订货号: HA8 Order Code</p> 	
<p>订货号: HA12 Order Code</p> 	
<p>订货号: HA18 Order Code</p> 	
<p>订货号: HA24 Order Code</p> 	



新型专业插座箱 New professional socket box

- 适用于防水、防尘、防腐蚀等特殊场合
It is applicable for special waterproof, dustproof and corrosion-proof locations
- 符合标准: IEC60529、EN 60309、IP67
Executive standard: IEC60529、EN 60309、IP67



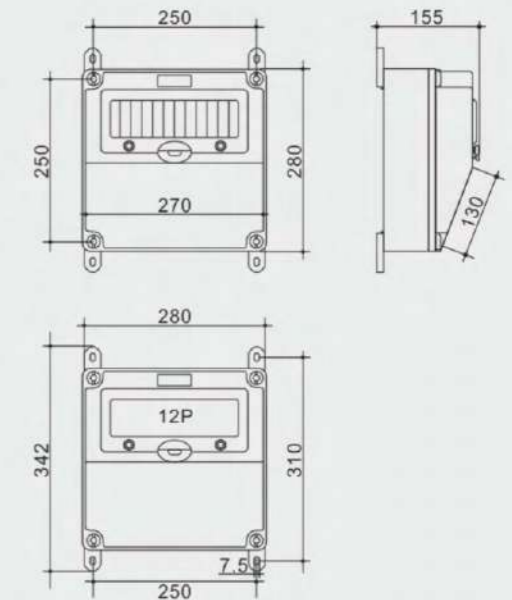
新型专业插座箱 New professional socket box

新型专业插座箱 New professional socket box

- 适用于防水、防尘、防腐蚀等特殊场合
It is applicable for special waterproof, dustproof and corrosion-proof locations.
- 符合标准: IEC60529、EN 60309、IP67。
Executive standard: IEC60529、EN 60309、IP67.



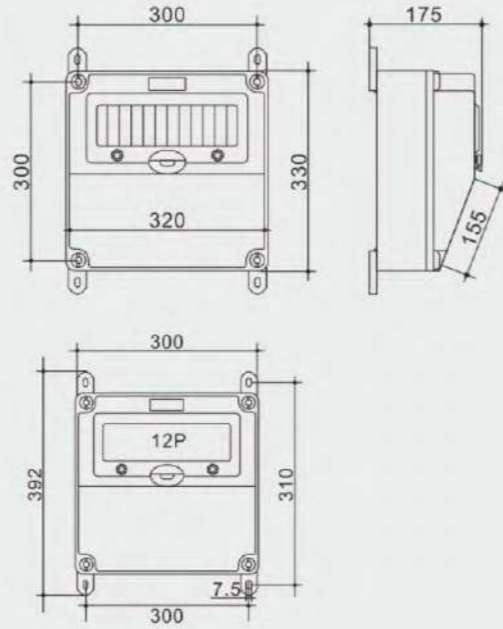
订货号: HS282815
Order Code



新型专业插座箱

New professional socket box

订货号: HS333317
Order Code



新型专业插座箱

New professional socket box

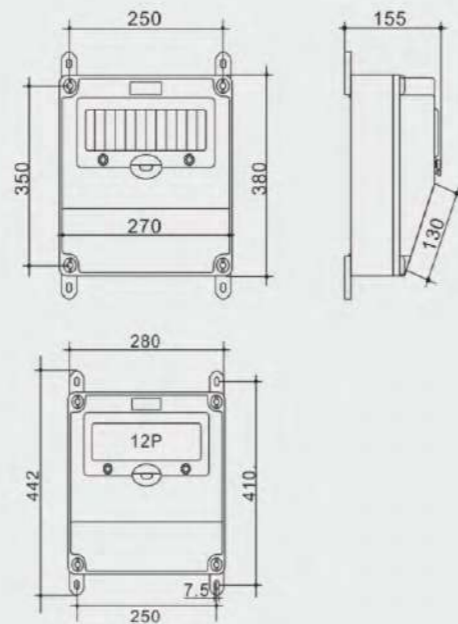
新型专业插座箱

New professional socket box

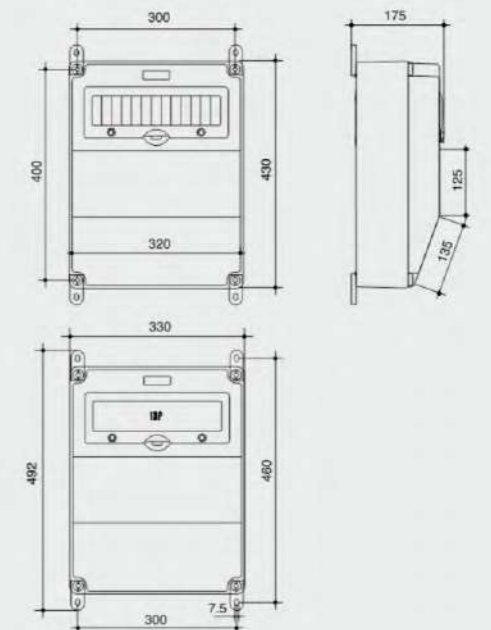
- 适用于防水、防尘、防腐蚀等特殊场合
It is applicable for special waterproof, dustproof and corrosion-proof locations.
- 符合标准: IEC60529、EN 60309、IP67。
Executive standard: IEC60529、EN 60309、IP67.



订货号: HS283815
Order Code



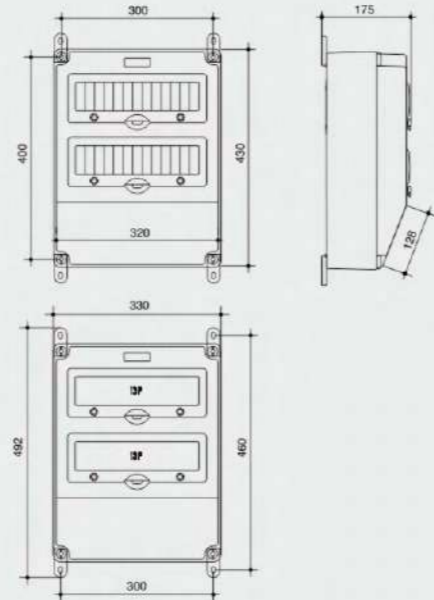
订货号: HS334317
Order Code



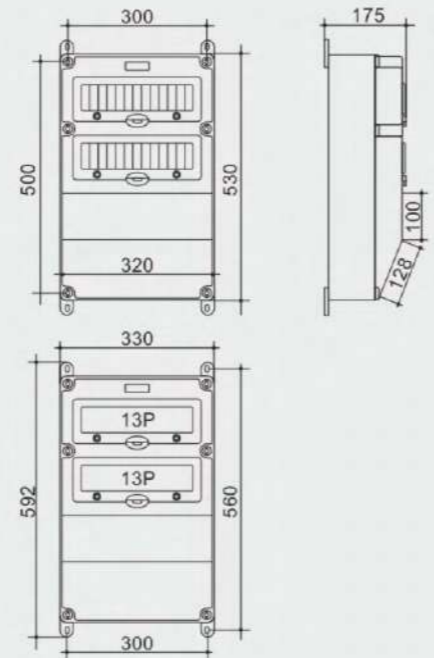
新型专业插座箱

New professional socket box

订货号: HS334317-2
Order Code



订货号: HS335317
Order Code



CEA®

YUEQING HUATONG PLASTIC CO.,LTD

透明保护窗罩

Transparent contact protective window hood

- 适用于防水、防尘、防腐蚀等特殊场合
It is applicable for special waterproof, dustproof and corrosion-proof locations
- 符合标准: IEC60529、EN 60309、IP67
Executive standard: IEC60529、EN 60309、IP67



透明保护窗罩

Transparent contact protective window hood

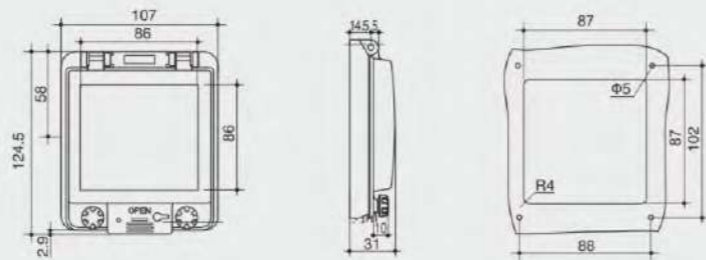
透明保护窗罩

Transparent contact protective window hood

- 适用于防水、防尘、防腐蚀等特殊场合
It is applicable for special waterproof, dustproof and corrosion-proof locations.
- 符合标准: IEC60529、EN 60309、IP67。
Executive standard: IEC60529、EN 60309、IP67.



订货号: HS-5P
Order Code



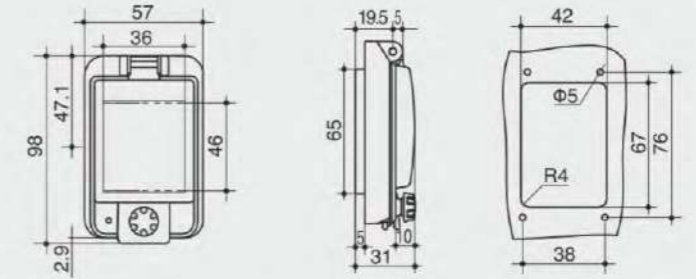
透明保护窗罩

Transparent contact protective window hood

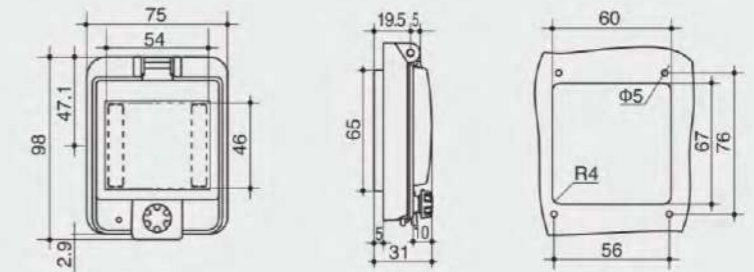
CEA[®]

YUEQING HUATONG PLASTIC CO.,LTD

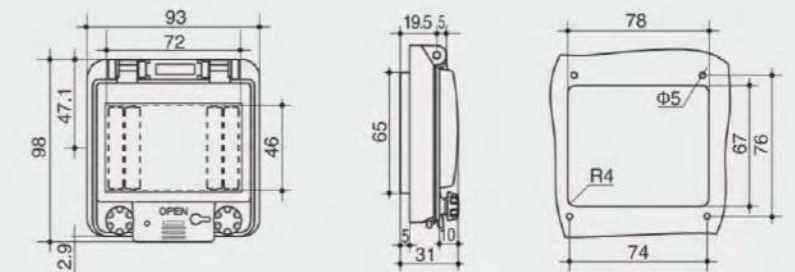
订货号: HS-2P
Order Code



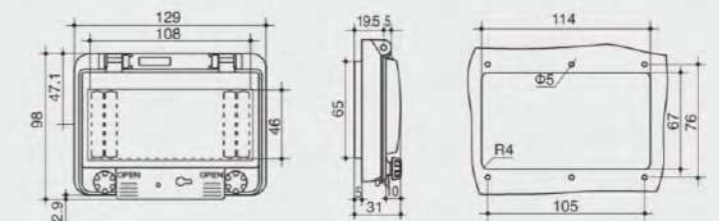
订货号: HS-3P
Order Code



订货号: HS-4P
Order Code



订货号: HS-6P
Order Code



透明保护窗罩

Transparent contact protective window hood

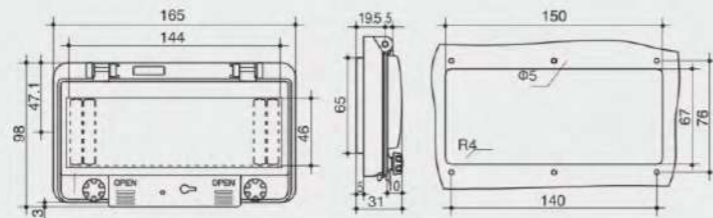
透明保护窗罩

Transparent contact protective window hood

- 适用于防水、防尘、防腐蚀等特殊场合
It is applicable for special waterproof, dustproof and corrosion-proof locations.
- 符合标准: IEC60529、EN 60309、IP67。
Executive standard: IEC60529、EN 60309、IP67.



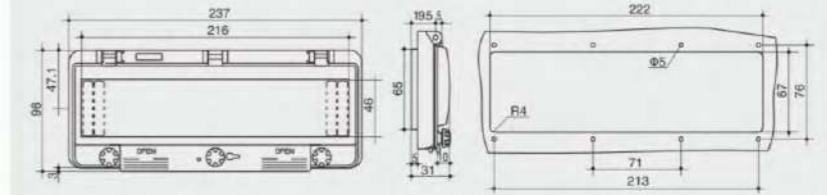
订货号: HS-8P
Order Code



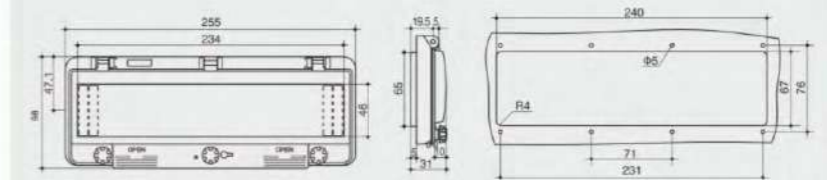
透明保护窗罩

Transparent contact protective window hood

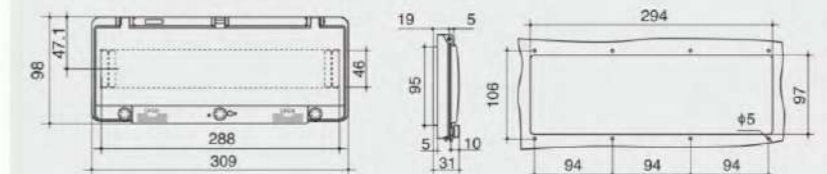
订货号: HS-12P
Order Code



订货号: HS-13P
Order Code



订货号: HS-16P
Order Code



全塑密封箱
Full-plastic sealed box

- 适用于防水、防尘、防腐蚀等特殊场合
It is applicable for special waterproof, dustproof and corrosion-proof locations
- 符合标准: IEC60529、EN 60309、IP67
Executive standard: IEC60529、EN 60309、IP67
- 可根据用户需求随意开孔, 规格齐全, 安装方便
Holes can be opened at will according to user needs, complete specifications, easy to install



全塑密封箱
Full-plastic sealed box

尺寸: 300×200×160mm
Outline dimension



尺寸: 300×200×170mm
Outline dimension



尺寸: 400×300×160mm
Outline dimension



尺寸: 400×300×170mm
Outline dimension



尺寸: 400×300×180mm
Outline dimension



尺寸: 500×400×200mm
Outline dimension



尺寸: 600×400×220mm
Outline dimension



尺寸: 600×500×220mm
Outline dimension



F

全塑密封箱

Full-plastic sealed box



尺寸: 300×200×170mm (带锁)
Outline dimension



尺寸: 500×400×200mm (带锁)
Outline dimension



尺寸: 800×600×250mm (带锁)
Outline dimension



全塑密封箱

Full-plastic sealed box

全塑密封箱

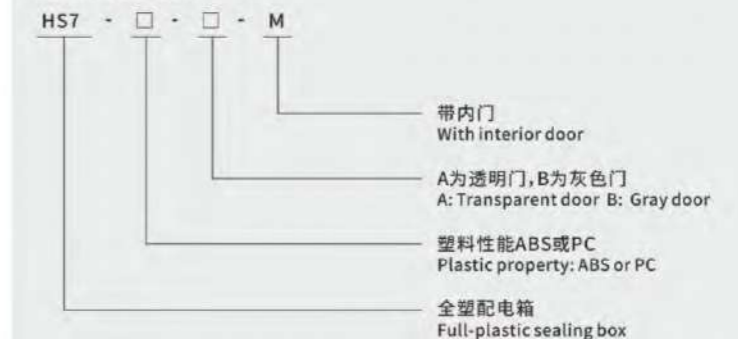
Full-plastic sealed box



- 适用于防水、防尘、防腐蚀、高强度绝缘等特殊场合。
It is suitable for special occasions such as waterproof, dustproof, anti-corrosion and high-strength insulation.
- 执行标准: IEC60529 EN60309 IP66。
Executive standard: IEC60529 EN60309 IP66.
- 可根据用户需求随意开孔, 规格齐全, 安装方便。
Holes can be opened at will according to user needs, complete specifications and easy installation.

产品型号 Model of product	外形尺寸 Outline dimension (mm)			订货代号 Order code
	A	B	C	
HS7-ABS-A	200	300	160	3020160
	200	300	170	3020170
	300	400	160	4030160
	300	400	170	4030170
	300	400	180	4030180
	400	500	200	5040200
	500	600	220	6050220
HS7-ABS-B	600	800	250	8060250
	200	300	170	3020171
	300	400	170	4030171
	400	500	200	5040201
	400	600	220	6040221
	500	600	220	6050221
	600	800	250	8060251
HS7-PC-A	200	300	170	3020172
	300	400	170	4030172
	400	500	200	5040202
	500	600	220	6050222
HS7-PC-B	600	800	250	8060252
	200	300	170	3020173
	300	400	170	4030173
	400	500	200	5040203
HS7-ABS-A-M	500	600	220	6050223
	600	800	250	8060253
	200	300	170	3020174
	300	400	170	4030174
HS7-PC-A-M	400	500	200	5040204
	500	600	220	6050224
	600	800	250	8060254
	200	300	170	3020175
HS7-PC-A-M	300	400	170	4030175
	400	500	200	5040205
	500	600	220	6050225
	600	800	250	8060255

型号说明 Model explanation



欧式防水电气盒

European style waterproof electrical box



欧式防水电气盒

European style
waterproof electrical box

- 适用于防水、防尘、防腐蚀、高强度绝缘等特殊场合。
It is suitable for special occasions such as waterproof, dustproof, anti-corrosion and high-strength insulation.
- 执行标准: IEC60529 EN60309 IP65。
Executive standard: IEC60529 EN60309 IP65.
- 可根据用户需求随意开孔, 规格齐全, 安装方便。
Holes can be opened at will according to user needs, complete specifications and easy installation.



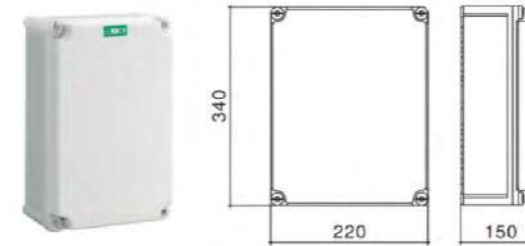
欧式防水电气盒

European style waterproof electrical box

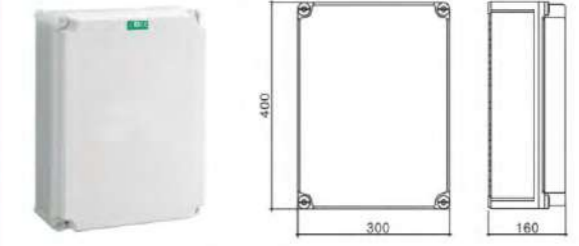
CEA®

YUEQING HUATONG PLASTIC CO.,LTD

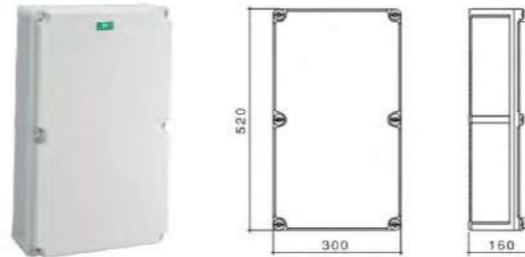
订货号: HS223415
Order Code



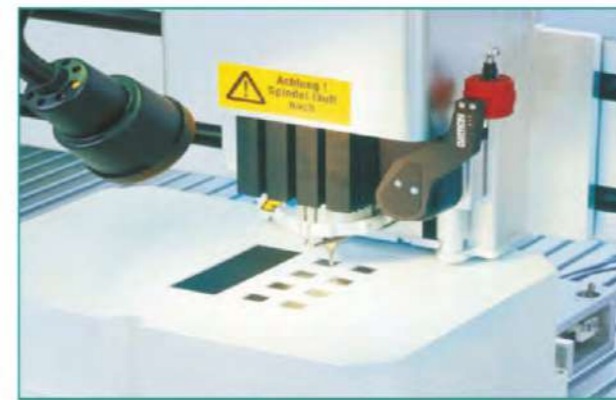
订货号: HS304016
Order Code



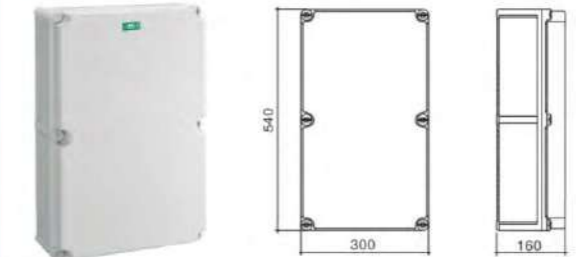
订货号: HS305216
Order Code



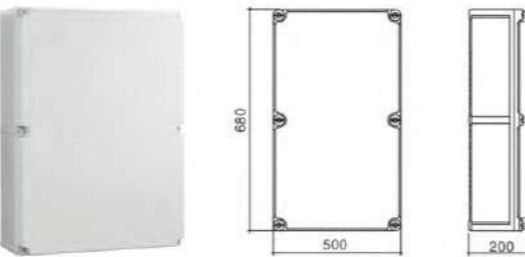
订货号: HS274616
Order Code



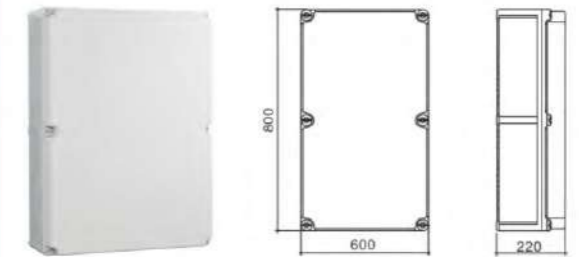
订货号: HS365418
Order Code



订货号: HS506820
Order Code



订货号: HS608022
Order Code



不锈钢扣合页型电气盒 Stainless steel hinge type electrical box

- 适用于防水、防尘、防腐蚀等特殊场合
It is applicable for special waterproof, dustproof and corrosion-proof locations
- 符合标准: IEC60529、EN 60309、IP67
Executive standard: IEC60529、EN 60309、IP67
- 可根据用户需求随意开孔, 规格齐全, 安装方便
Holes can be opened at will according to user needs, complete specifications, easy to install



不锈钢扣合页型电气盒 Stainless steel hinge type electrical box

尺寸: 150×100×70mm
Outline dimension



尺寸: 150×150×90mm
Outline dimension



尺寸: 200×100×70mm
Outline dimension



尺寸: 220×170×110mm
Outline dimension



尺寸: 290×190×140mm
Outline dimension



尺寸: 350×250×150mm
Outline dimension



尺寸: 330×330×130mm
Outline dimension



G

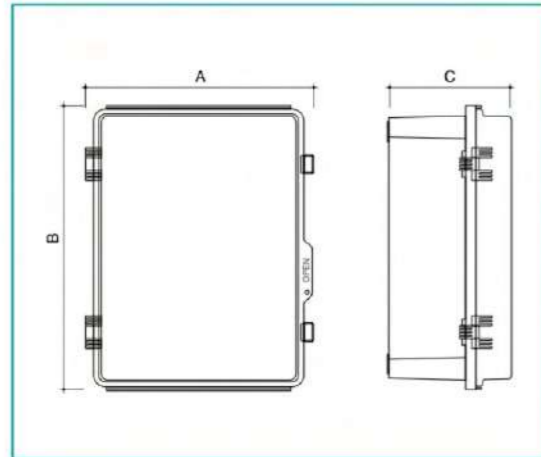
不锈钢扣合页型电气盒

Stainless steel hinge type electrical box

不锈钢扣合页型电气盒

Stainless steel hinge type electrical box

- 适用于防水、防尘、防腐蚀、高强度绝缘等特殊场合。
It is suitable for special occasions such as waterproof, dustproof, anti-corrosion and high-strength insulation.
- 执行标准: IEC60529 EN60309 IP66。
Executive standard: IEC60529 EN60309 IP66.
- 可根据用户需求随意开孔, 规格齐全, 安装方便。
Holes can be opened at will according to user needs, complete specifications and easy installation.



产品名称 Name of product	外形尺寸 Outline dimension (mm)			订货代号 Order code
	A	B	C	
不锈钢扣合页型电气盒 Stainless steel hinge type electrical box	150	100	70	151007
	150	150	90	151509
	200	100	70	201007
	220	170	110	221711
	290	190	140	291914
	350	250	150	352515
	330	330	130	333313

* 部分开孔展示效果图。
Partial opening display renderings.



* 可定制开孔, 可激光可刻字。
Can be customized to open holes, laser can be engraved.

CEA®

YUEQING HUATONG PLASTIC CO.,LTD

手提式插座配电箱

Portable socket distribution box

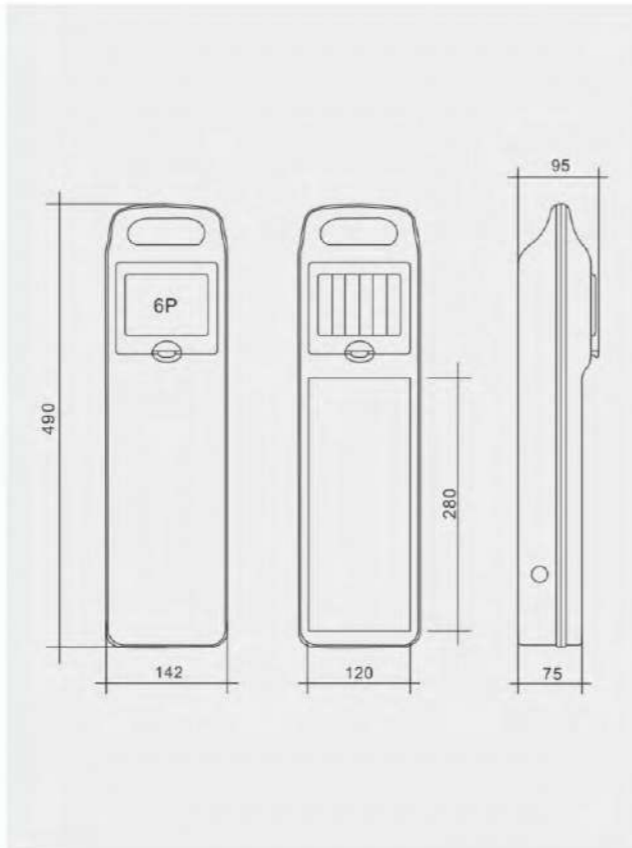
- 方便携带式, 提供灵活的电源输出
Convenient to carry, provide flexible power output
- 执行标准: DIN VDE 0623, IEC 60309-2
Executive standard: DIN VDE 0623, IEC 60309-2
- 防护等级: IEC 60529, IP67
Protection level: IEC 60529, IP67



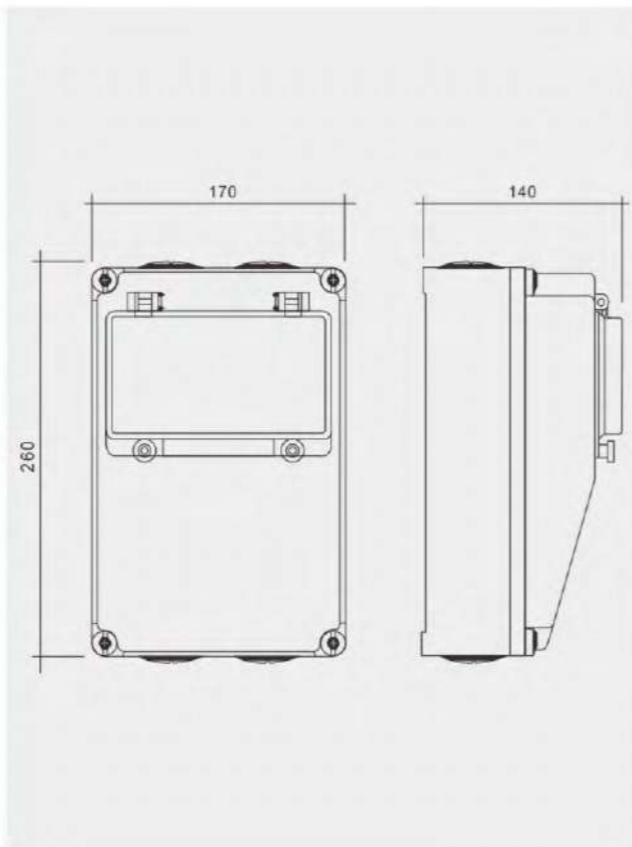
手提式插座配电箱

Portable socket distribution box

订货号: HS491409
Order Code



订货号: HS261714
Order Code



手提式插座配电箱

Portable socket distribution box

CEA[®]

YUEQING HUATONG PLASTIC CO.,LTD

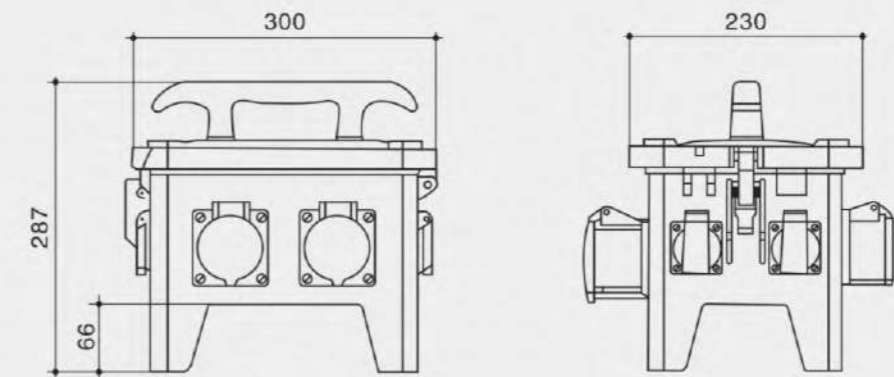
12位移动式防水插座箱

12 Mobile waterproof socket box

- 执行标准: EN60439-4
Executive standard: EN60439-4
- 防护等级: IEC60529、EN 60309、IP67
Protection level: IEC60529, EN 60309, IP67
- 颜色可选: 黄/黑
Color options: yellow/black



订货号: HS12PCZX
Order Code



手提式插座配电箱

Portable socket distribution box

订货号: HS12PCZX-1
Order Code



电源输入 Power Input	输出回路 Output circuit	开关保护 Switch protection
1HS 16A 5P	1HS 16A 5P	1RCD 32A 4P 0.03A
3M 5×2.5mm ² 电缆 Cable	6 SCHUKO 16A230V	1MCB 16A 3P
		3MCB 16A 1P

订货号: HS12PCZX-2
Order Code



电源输入 Power Input	输出回路 Output circuit	开关保护 Switch protection
1HS 32A 5P	1HS 16A 5P	1RCD 40A 4P 0.03A
3M 5×4mm ² 电缆 Cable	1HS 32A 5P	1MCB 32A 3P
	6 SCHUKO 16A230V	1MCB 16A 1P

订货号: HS12PCZX-3
Order Code



电源输入 Power Input	输出回路 Output circuit	开关保护 Switch protection
1HS 32A 5P	2HS 16A 5P	1RCD 63A 4P 0.03A
3M 3×4mm ² 电缆 Cable	2HS 32A 5P	1MCB 16A 3P
	4 SCHUKO 16A 230V	1MCB 32A 3P
		2MCB 16A 3P

订货号: HS12PCZX-4
Order Code



电源输入 Power Input	输出回路 Output circuit	开关保护 Switch protection
1HS 32A 3P	4HS 16A 3P	1RCD 40A 4P 0.03A
3M 3×4mm ² 电缆 Cable	4 SCHUKO 16A 230V	8MCB 16A 3P

手提式插座配电箱

Portable socket distribution box

CEA[®]

YUEQING HUATONG PLASTIC CO.,LTD

订货号: HS12PCZX-5
Order Code



电源输入 Power Input	输出回路 Output circuit	开关保护 Switch protection
1HS 32A 3P	4HS 16A 5P	1RCD 40A 2P 0.03A
3M 5×4mm ² 电缆 Cable	4 SCHUKO 16A230V	2MCB 16A 3P
		3MCB 16A 1P

订货号: HS12PCZX-6
Order Code



电源输入 Power Input	输出回路 Output circuit	开关保护 Switch protection
1HS 32A 5P	2HS 16A 5P	1RCD 40A 2P 0.03A
3M 5×4mm ² 电缆 Cable	1HS 32A 5P	1MCB 16A 3P
	1HS 16A 3P	1MCB 32A 3P
	4 SCHUKO 16A230V	2MCB 16A 1P

订货号: HS12PCZX-7
Order Code



电源输入 Power Input	输出回路 Output circuit	开关保护 Switch protection
1HS 32A 3P	4HS 16A 3P	1RCD 40A 2P 0.03A
3M 3×4mm ² 电缆 Cable		4MCB 16A 2P



手提式插座配电箱

Portable socket distribution box

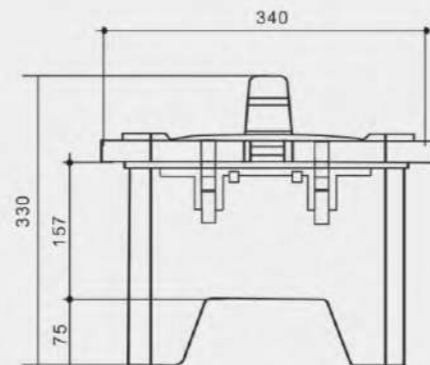
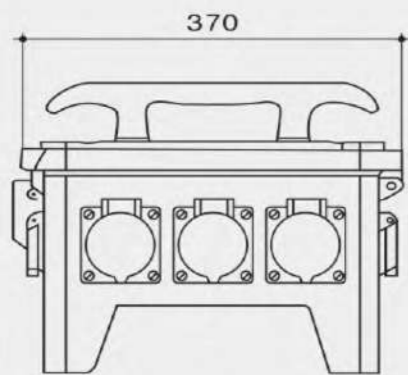
24位移动式防水插座箱

24 Mobile waterproof socket box

- 执行标准: EN60439-4
Executive standard: EN60439-4
- 防护等级: IEC60529、EN 60309、IP67
Protection level: IEC60529, EN 60309, IP67
- 颜色可选: 黄/黑/红
Color options: yellow/black/red



订货号: HS24PCZX
Order Code



手提式插座配电箱

Portable socket distribution box

CEA[®]

YUEQING HUATONG PLASTIC CO.,LTD

订货号: HS24PCZX-1
Order Code



电源输入 Power Input	输出回路 Output circuit	开关保护 Switch protection
1HS 63A 5P	1HS 63A 5P	1RCD 63A 4P 0.03A
3M 5×10mm ² 电缆 Cable	1HS 32A 5P	1MCB 63A 3P
	2HS 16A 5P	1MCB 32A 3P
	4 SCHUKO 16A 230V	2MCB 16A 3P
		4MCB 16A 1P

订货号: HS24PCZX-2
Order Code



电源输入 Power Input	输出回路 Output circuit	开关保护 Switch protection
1HS 63A 5P	2HS 63A 5P	1RCD 63A 4P 0.03A
3M 5×10mm ² 电缆 Cable	2HS 32A 3P	2MCB 32A 3P
	2HS 16A 5P	2MCB 32A 1P
	2HS 16A 3P	2MCB 16A 3P
		2MCB 16A 1P

订货号: HS24PCZX-3
Order Code



电源输入 Power Input	输出回路 Output circuit	开关保护 Switch protection
1HS 63A 5P	1HS 63A 5P	1RCD 63A 4P 0.03A
暗装插头 Concealed plug	1HS 32A 5P	1MCB 63A 3P
	2HS 16A 5P	1MCB 32A 1P
	2HS 16A 3P	2MCB 16A 3P
	4 SCHUKO 16A 230V	6MCB 16A 1P

订货号: HS24PCZX-4
Order Code



电源输入 Power Input	输出回路 Output circuit	开关保护 Switch protection
1HS 63A 5P	2HS 63A 5P	1RCD 63A 4P 0.03A
暗装插头 Concealed plug	2HS 16A 5P	2MCB 63A 3P
	4HS 16A 3P	2MCB 16A 3P
		4MCB 16A 1P

手提式插座配电箱

Portable socket distribution box

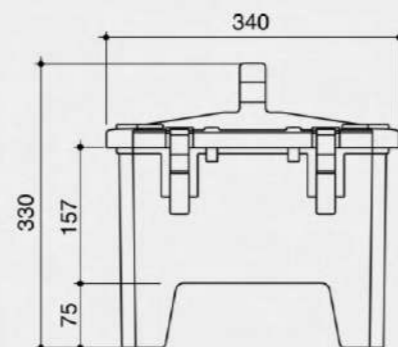
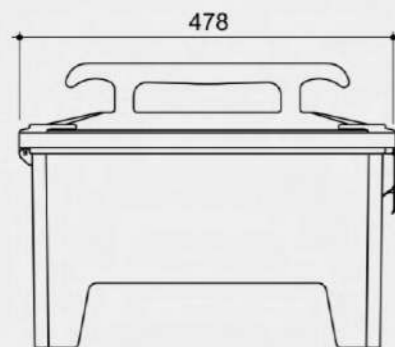
36位移动式防水插座箱

36 Mobile waterproof socket box

- 执行标准: EN60439-4
Executive standard: EN60439-4
- 防护等级: IEC60529、IP44、IP67
Protection level: IEC60529, IP44, IP67
- 颜色可选: 黄/黑
Color options: yellow/black



订货号: HS12PCZX
Order Code



CEA®

YUEQING HUATONG PLASTIC CO.,LTD

铸铝密封盒

Cast aluminum seal box

- 适用于矿产或化学等EX区域保护端子板和电子设备等增安型防爆电气密封箱

It is suitable for the increased safety explosion-proof electrical enclosures such as mineral or chemical products such as EX area protection terminal boards and electronic equipment



铸铝密封盒

Cast aluminum seal box

订货号: 080806LH Order Code
80×80×65mm

订货号: 121208LH Order Code
120×120×80mm

订货号: 140806LH Order Code
140×80×60mm

订货号: 161007LH Order Code
160×100×70mm

订货号: 161609LH Order Code
160×160×90mm

铸铝密封盒

Cast aluminum seal box

订货号: 201709LH Order Code
200×170×90mm

订货号: 202312LH Order Code
200×230×120mm

订货号: 221208LH Order Code
220×120×80mm

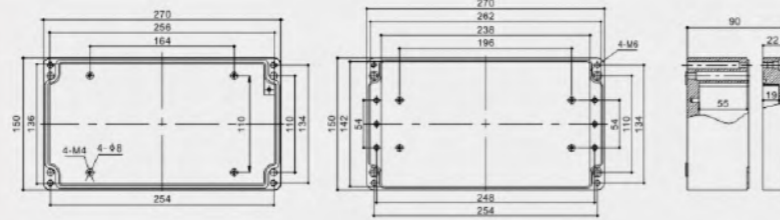
订货号: 221408LH Order Code
220×140×80mm

订货号: 261609LH Order Code
260×160×90mm

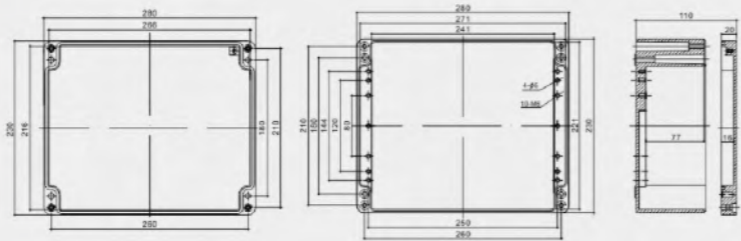
铸铝密封盒

Cast aluminum seal box

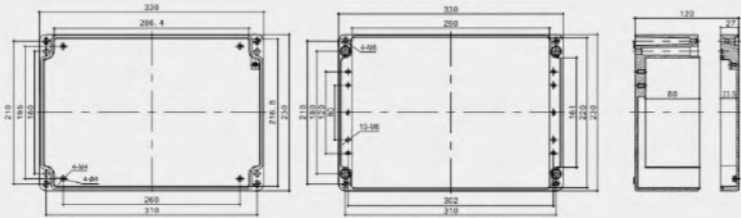
订货号: 271509LH Order Code
270×150×90mm



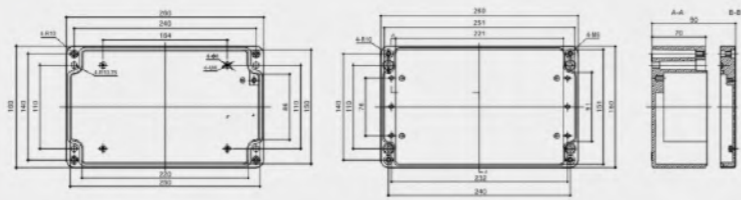
订货号: 282311LH Order Code
280×230×110mm



订货号: 332312LH Order Code
330×230×120mm



订货号: 402311LH Order Code
400×230×110mm



CEA[®]

YUEQING HUATONG PLASTIC CO.,LTD

经济型防水接线盒 Economical Waterproof junction box

- 适用于防水、防尘、防腐蚀等特殊场合
It is applicable for special waterproof, dustproof and corrosion-proof locations
- 符合标准: IEC60529、EN 60309、IP67
Executive standard: IEC60529、EN 60309、IP67



经济型防水接线盒

Economical Waterproof junction box

- 壳体材料: ABS
- 孔塞材料: PVC
- 材料特性: 抗冲击性、耐热性、耐低温性、耐化学药品性及电气性能优良、表面光泽性好等特点。
- 认证: CE, ROHS
- 用途: 适用于室内、室外电气、通信、消防设备、钢铁冶炼、石油化工、电子、电力、铁路、建筑工地、采矿场、机场、宾馆、船舶、大型工厂、沿海工厂、卸货码头设备、污水处理设施、环境公害设施等。
- 安装方式: 1、内部安装: 盒子内部有供线路板或DIN轨道元件安装的凸台;
2、外部安装: 可通过盒体底部的安装孔直接固定于墙面(可通过盒子的四个角, 直接用螺丝或钉子固定在墙上或板子上)。
- 进出线孔: 防水盒可以根据电线大小在现有孔塞上选择使用, 或配套防水夹紧接头, 达到防水最佳效果。
- Box material: ABS
- Stopper material: PVC
- Material characteristics: Impact, heat, low temperature and chemical resistance, excellent electrical performance and surface gloss, etc.
- Certificates: CE, ROHS
- Application: Suitable for indoor and outdoor electric, communication, fire fighting apparatus, iron and steel smelting, petrochemical industry, electron, power system, railway, building, mine, air and sea port, hotel, ship, works, waste water treatment equipment, environmental equipment and so on.
- Installation: 1. Inside: there are the installation holes in the base for circuit board or DIN rail.
2. Outside: The products can be directly fixed on the wall or other flat board with screws or nails via the screw holes in the base.
- Outlet hole: Cutting a hole in the PVC stopper as related cable size or installing cable gland to get better waterproof performance.

型号 Item NO.	孔数 Hole QTY	孔径 Hole Size (mm)	IP	毛重 GW (kg)	净重 NW (kg)	装箱数(只) QTY/CTN (PCS)	外箱尺寸 Carton Size (cm)
HS-RA 50×50	4	25	55	13.5	12.3	300	46×38×51
HS-RA 80×50	4	25	55	14.7	13.4	240	53×35×62
HS-RA 85×85×50	7	25	55	17.2	16.0	200	53×41×53
HS-RA 100×100×70	7	25	65	14.9	13.5	100	62×49×35
HS-RA 150×110×70	10	25	65	15.1	13.8	60	67×33×46.5
HS-RA 150×150×70	8	25	65	16.3	15.0	60	84.5×34×45
HS-RA 200×100×70	8	25	65	16.6	15.3	60	61×46×42
HS-RA 200×155×80	10	36	65	14.5	13.2	40	69.5×43.5×42
HS-RA 200×200×80	12	36	65	18.0	16.6	40	90×46×40.5
HS-RA 255×200×80	12	36	65	21.9	20.1	40	55×45×78.5
HS-RA 255×200×120	12	36	65	21.9	20.1	30	64×55×62
HS-RA 300×250×120	12	36	65	20.3	18.4	20	61.5×55.5×63
HS-RA 400×350×120	16	36	65	15.0	13.3	10	74.5×42.5×61.5

经济型防水接线盒

Economical Waterproof junction box

CEA®

YUEQING HUATONG PLASTIC CO.,LTD

型号 Item NO.	孔数 Hole QTY	孔径 Hole Size (mm)	IP	毛重 GW (kg)	净重 NW (kg)	装箱数(只) QTY/CTN (PCS)	外箱尺寸 Carton Size (cm)
HS-RT 50×50	4	25	55	12.9	11.7	300	45.5×37.5×51
HS-RT 80×50	4	25	55	13.1	11.8	240	53×35×62
HS-RT 85×85×50	7	25	55	15.6	14.4	200	45×37×53
HS-RT 100×100×70	7	25	65	13.9	12.5	100	57×46×35
HS-RT 150×110×70	10	25	65	13.6	12.3	60	62×31.5×46.5
HS-RT 150×150×70	8	25	65	15.6	14.3	60	79×31×46
HS-RT 200×100×70	8	25	65	15.6	14.3	60	57×43×42
HS-RT 200×155×80	10	36	65	13.3	12.0	40	64.5×40.5×41
HS-RT 200×200×80	12	36	65	16.0	14.4	40	85×43×40.5
HS-RT 255×200×80	12	36	65	19.8	18.0	40	81×51.5×41
HS-RT 255×200×120	12	36	65	19.8	18.0	30	63×53×62
HS-RT 300×250×120	12	36	65	19.7	17.8	20	61×52×61.5
HS-RT 400×350×120	16	36	65	14.8	13.1	10	72×41×61.5

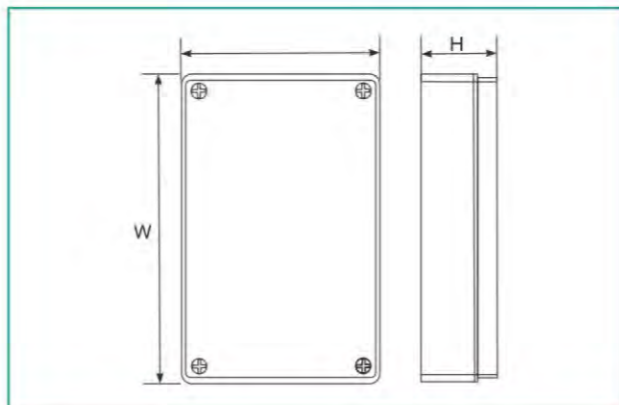


HS-F型防水盒

HS-F Type waterproof box

HS-F型防水盒

HS-F Type waterproof box



- 采用高强度ABS材料制成，重量只有铁制箱子的1/4左右，便于搬运和操作，耐腐蚀、绝缘性佳。
- 产品经过严格的品质检测，其防水、防尘等级达到IP66。
- 适用于机场、地铁站、按钮盒、小型终端机、信号机箱、继电器、传感器、通信接线盒等设备。
- Made of high-strength ABS material, weighing only about 1/4 of the weight of an iron box, easy to handle and operate, corrosion resistant and insulating.
- The product has undergone strict quality inspection and its waterproof and dustproof grade reaches IP66(the inspection report is available).
- Applicable to airports, subway stations, button boxes, small terminals, signal boxes, relays, sensors, communication junction boxes and other equipment.

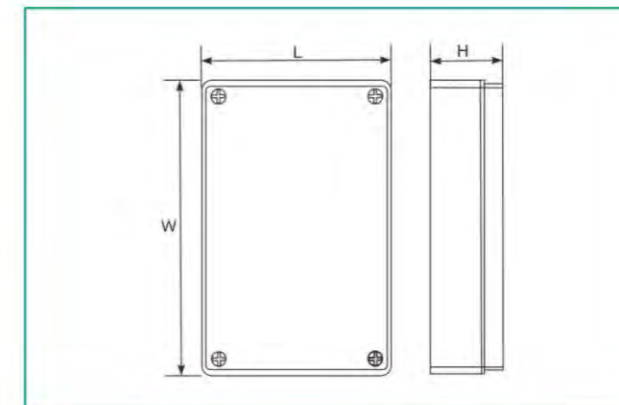
型号 Model	长L×宽W×高H	IP	净重 Net weight	装箱数 Packing number	毛重 Gross weight	外箱尺寸 Carton size
HS-FB	200×120×75	66	22	80	23	82.5×62.5×32
HS-FB	200×120×113	66	23	42	24	82.5×35.5×64.4
HS-FB	200×120×56	66	21	75	22	82.5×35.5×64.5
HS-FB	158×90×60	66	23	100	24	65×46.5×32
HS-FB	115×90×55	66	22	100	23	48×47×30
HS-FB	100×68×50	66	24	250	25	70.5×53×25
HS-FB	160×160×90	66	22	70	23	82.5×35.5×64.5
HS-FB	263×182×95	66	21	32	22	55×75×40
HS-FB	260×182×60	66	21	48	22	55×75×40
HS-FB	263×182×125	66	19	24	20	55×75×40
HS-FB	280×195×135	66	18.5	12	19.5	58×60×29
HS-FB	320×240×110	66	23	20	24	82.5×35.5×64.5
HS-FB	320×240×140	66	22	16	23	66×50×58
HS-FB	320×240×155	66	20	12	21	66×50×49
HS-FB	380×260×105	66	21	18	22	78×80×34
HS-FB	380×260×120	66	22	18	23	78×80×38
HS-FB	380×260×140	66	23	18	24	78×80×44
HS-FB	120×120×90	66	25	100	26	62×50×47
HS-FB	230×150×85	66	23	50	24	77×48×44.5
HS-FB	230×150×87	66	23	50	24	77×48×44.5
HS-FB	83×58×33	66	22	500	23	68×43×31
HS-FB	63×58×35	66	25	672	26	70.5×53×25
HS-FB	240×160×90	66	17	50	18	82.5×50×47
HS-FB	240×160×120	66	17	40	18	82.5×50×50
HS-FB	160×110×90	66	19	100	20	66×57×47
HS-FB	192×188×100	66	17	45	18	60×58×52
HS-FB	83×81×56	66	22	480	23	52×66×58
HS-FB	290×210×100	66	19	16	20	60×44×42
HS-FB	300×280×140	66	20	16	21	62×58×58
HS-FB	250×170×120	66	22	24	23	52×53×50

HS-F型带耳防水盒

HS-F Type Belt ear junction Box

HS-F型带耳防水盒

HS-F Type Belt ear junction Box



- 采用高强度ABS材料制成，重量只有铁制箱子的1/4左右，便于搬运和操作，耐腐蚀、绝缘性佳。
- 产品经过严格的品质检测，其防水、防尘等级达到IP65。
- 适用于机场、地铁站、按钮盒、小型终端机、信号机箱、继电器、传感器、通信接线盒等设备。
- Made of high-strength ABS material, weighing only about 1/4 of the weight of an iron box, easy to handle and operate, corrosion resistant and insulating.
- The product has undergone strict quality inspection and its waterproof and dustproof grade reaches IP65(the inspection report is available).
- Applicable to airports, subway stations, button boxes, small terminals, signal boxes, relays, sensors, communication junction boxes and other equipment.

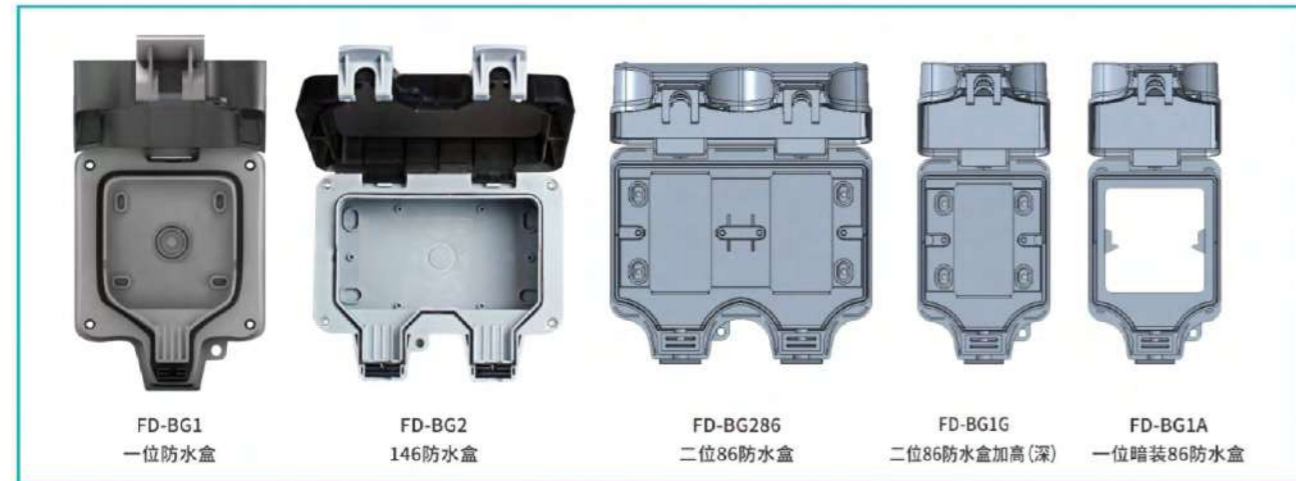
型号 Model	长L×宽W×高H	IP	毛重 Gross weight	净重 Net weight	装箱数 Packing number	外箱尺寸 Carton size
HS-FT	200×125×75	65	65	13	36	70.5×53×25
HS-FT	158×90×64	65	65	22	90	70×50×30
HS-FT	115×90×55	65	65	21	144	70×53×30
HS-FT	100×68×50	65	65	35	308	77×51.5×34.5
HS-FT	160×160×90	65	65	17	36	70×53×30
HS-FT	158×90×46	65	65	24	117	70×53×30
HS-FT	230×150×87	65	65	23	42	82.5×35.5×64.5
HS-FT	83×58×33	65	65	23	380	68×52×25
HS-FT	63×58×33	65	65	28	448	65×52×25
HS-FT	192×188×70	65	65	25	50	73×56×40

防水接线盒

Waterproof junction box

HSBG防水盒 (IP66)

HSBG
Waterproof box (IP66)



型号 Model	产品尺寸 Product size(mm)
HS-BG1	115×115×80
HS-BG2	175×115×80
HS-BG286	186×168×106
HS-BG1G	169×100×106
HS-BG1A	169×100×67



* 注:面板可随意更换。
Note: The panel can be replaced at will.

CEA®

YUEQING HUATONG PLASTIC CO.,LTD

经济插座箱 Economical socket box

- 适用于防水、防尘、防腐蚀等特殊场合
It is applicable for special waterproof, dustproof and corrosion-proof locations
- 防护等级: IEC60529、IP67
Protection level: IEC60529, IP67



塑料手提工地配电箱

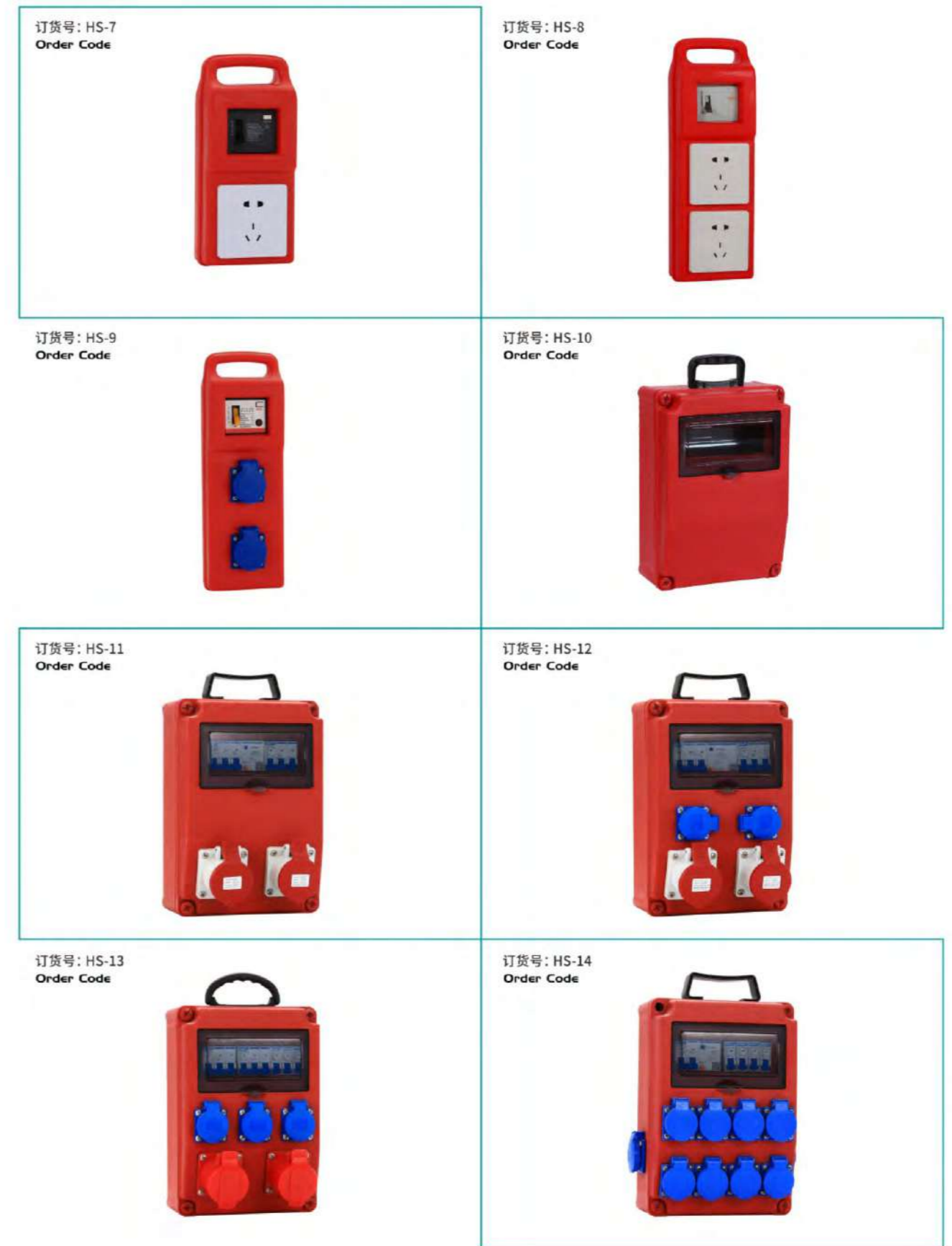
Plastic portable construction site distribution box



注: 有两种尺寸可定制, 请联系厂家。
Note: There are two sizes that can be customized, please contact the manufacturer.

经济型插座箱

Economical socket box



工业插头插座 HT-Waterproof distribution box

- 适用于防水、防尘、防腐蚀等特殊场合
It is applicable for special waterproof, dustproof and corrosion-proof locations
- 符合标准: DIN VDE 0623、EN/IEC 60309-2
Executive standard: DIN VDE 0623、EN/IEC 60309-2



工业插头插座

Industrial plug socket

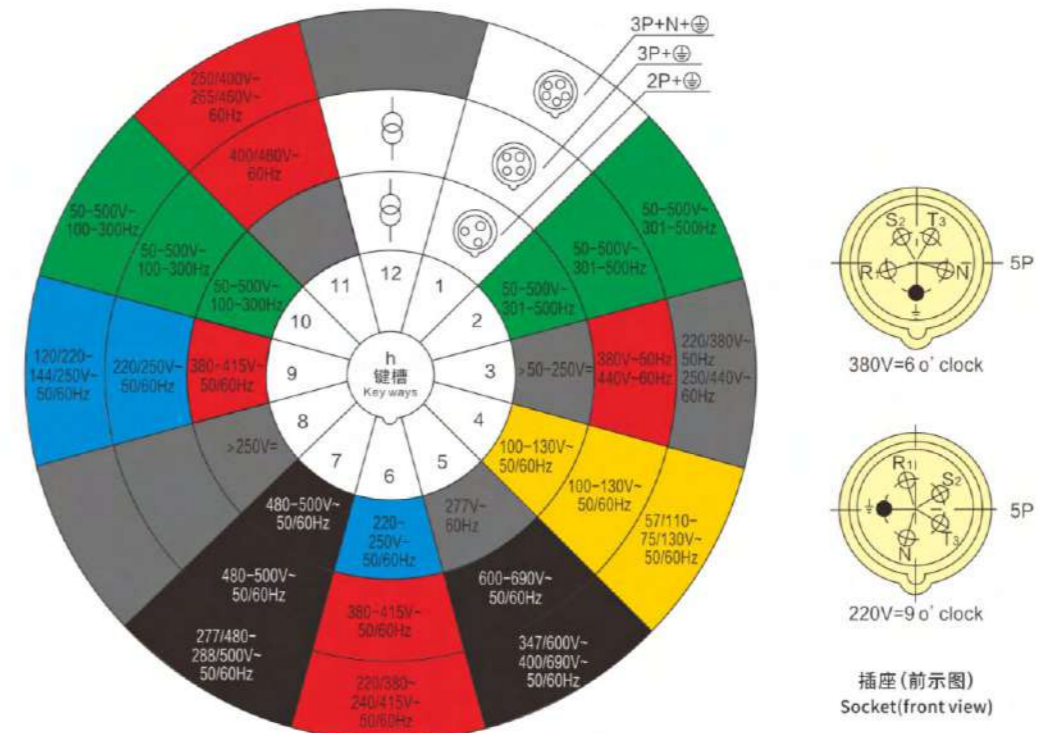


工作电压>50V 工业插头、插座装置的接地触头时钟分布图

Working voltage>50V
Distribution diagram of ground contact clock of industrial plug and socket device

为了区分不同的工作电压和频率的插头、插座装置,其接地插座的位置请参考以下时钟分布图。同时不同工作电压和频率的产品使用了不同的颜色标示,具体请参考以下时钟分布图的颜色标示。

In order to distinguish plugs and sockets with different working voltages and frequencies, please refer to the following clock distribution diagram for the location of the grounding socket. At the same time, products with different operating voltages and frequencies use different color labels. For details, please refer to the color labels in the clock distribution diagram below.



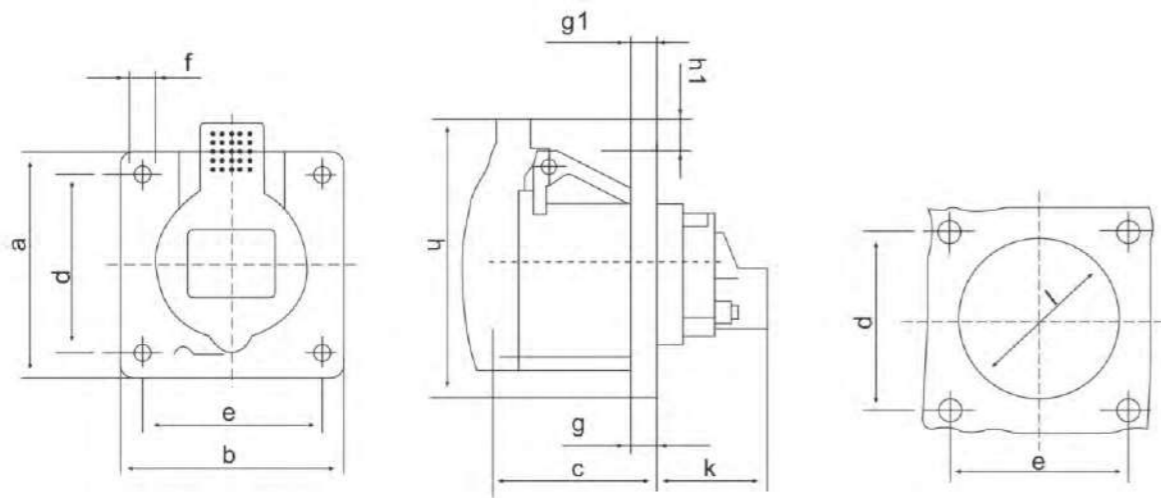
HS-313A



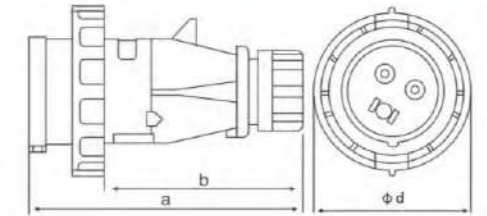
接地位置 Earth contact position	额定电流 Rated current(A)	电缆标称截面积 Cable nominal cross-section area(mm ²)	极数 Pole	防护等级 Protection degress
6h	16	1~2.5	3	IP67

尺寸 Dimension(mm)

a	b	c	d	e	f	g	g1	h	h1	k	i
55	55	51	45	45	5.5	8	2	75	19	33	44

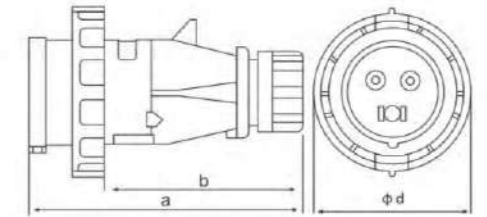


HS-0131-4, HS-0231-4



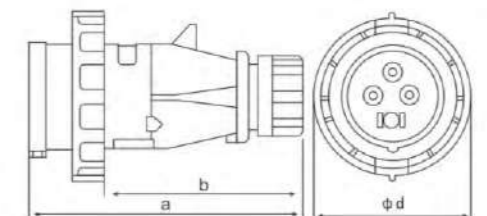
接地位置 Earth contact position	电压 Voltage (V)	额定电流 Rated current(A)	尺寸 Dimension(mm)			电缆标称截面积 Cable nominal cross-section area(mm ²)	极数 Pole	防护等级 Protection degress
			a	b	c			
4h	110~130	16	138	115	70.2	1~2.5	3	IP67
		32	170	141	93.3	2.5~6		

HS-0131, HS-0231



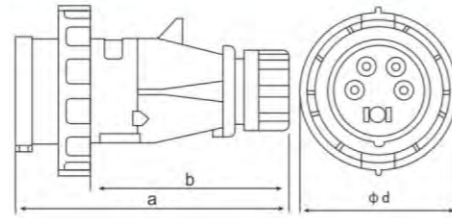
接地位置 Earth contact position	电压 Voltage (V)	额定电流 Rated current(A)	尺寸 Dimension(mm)			电缆标称截面积 Cable nominal cross-section area(mm ²)	极数 Pole	防护等级 Protection degress
			a	b	c			
6h	220~240	16	138	115	70.2	1~2.5	3	IP67
		32	170	141	93.3	2.5~6		

HS-0141, HS-0241



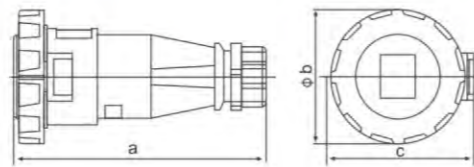
接地位置 Earth contact position	电压 Voltage (V)	额定电流 Rated current(A)	尺寸 Dimension(mm)			电缆标称截面积 Cable nominal cross-section area(mm ²)	极数 Pole	防护等级 Protection degress
			a	b	c			
6h	380~415	16	144	120.5	78	1~2.5	4	IP67
		32	170	141	93.3	2.5~6		

HS-0151、HS-0251



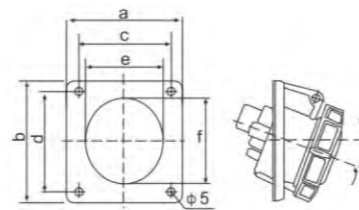
接地位置 Earth contact position	电压 Voltage (V)	额定电流 Rated current(A)	尺寸 Dimension(mm)			电缆标称截面积 Cable nominal cross-section area(mm ²)	极数 Pole	防护等级 Protection degree
			a	b	c			
6h	220~380 240~415	16	144	120.5	87	1~2.5	5	IP67
		32	177	148	101	2.5~6		

HS-2131-4、HS-2231-4



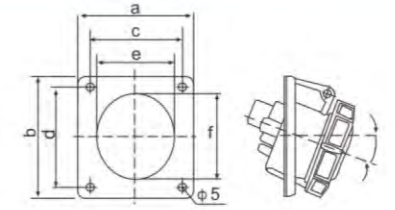
接地位置 Earth contact position	电压 Voltage (V)	额定电流 Rated current(A)	尺寸 Dimension(mm)			电缆标称截面积 Cable nominal cross-section area(mm ²)	极数 Pole	防护等级 Protection degree
			a	b	c			
4h	110~130	16	160	54.7	105.5	1~2.5	3	IP67
		32	203	67.5	135.7	2.5~6		

HS-3131、HS-3231



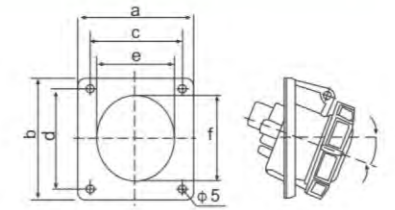
接地位置 Earth contact position	电压 Voltage (V)	额定电流 Rated current(A)	尺寸 Dimension(mm)						电缆标称截面积 Cable nominal cross-section area(mm ²)	极数 Pole	防护等级 Protection degree
			a	b	c	d	e	f			
6h	220~240	16	64	75	52	60	50	60	1~2.5	3	IP67
		32	93	101	77	85	73	86	2.5~6		

HS-3141、HS-3241



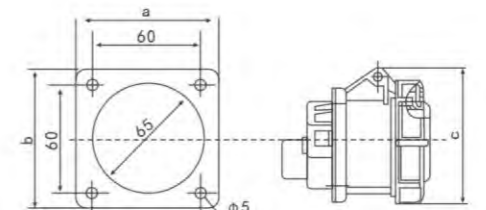
接地位置 Earth contact position	电压 Voltage (V)	额定电流 Rated current(A)	尺寸 Dimension(mm)						电缆标称截面积 Cable nominal cross-section area(mm ²)	极数 Pole	防护等级 Protection degree
			a	b	c	d	e	f			
6h	380~415	16	93	101	77	85	73	86	1~2.5	4	IP67
		32	93	101	77	85	73	86	2.5~6		

HS-3151、HS-3251



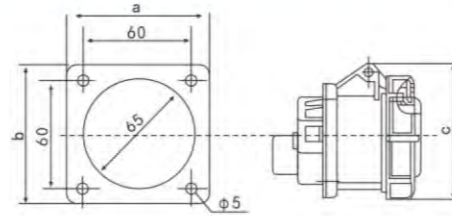
接地位置 Earth contact position	电压 Voltage (V)	额定电流 Rated current(A)	尺寸 Dimension(mm)						电缆标称截面积 Cable nominal cross-section area(mm ²)	极数 Pole	防护等级 Protection degree
			a	b	c	d	e	f			
6h	220~380 240~415	16	93	101	77	85	73	86	1~2.5	5	IP67
		32	93	101	77	85	73	86	2.5~6		

HS-4131、HS-4231



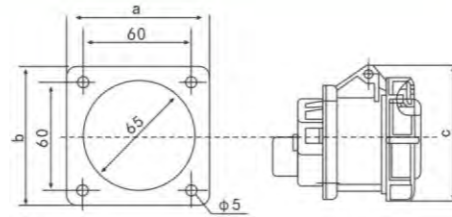
接地位置 Earth contact position	电压 Voltage (V)	额定电流 Rated current(A)	尺寸 Dimension(mm)			电缆标称截面积 Cable nominal cross-section area(mm ²)	极数 Pole	防护等级 Protection degree
			a	b	c			
6h	220~240	16	76	76	83	1~2.5	3	IP67
		32	76	85	99	2.5~6		

HS-4141, HS-4241



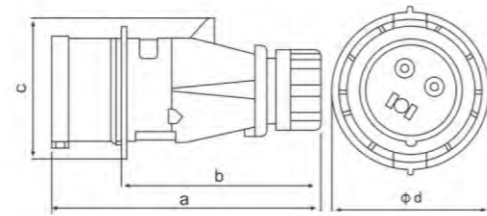
接地位置 Earth contact position	电压 Voltage (V)	额定电流 Rated current(A)	尺寸 Dimension(mm)			电缆标称截面积 Cable nominal cross-section area(mm ²)	极数 Pole	防护等级 Protection degress
			a	b	c			
6h	380~415	16	76	76	88	1~2.5	4	IP67
		32	76	85	99	2.5~6		

HS-4151, HS-4251



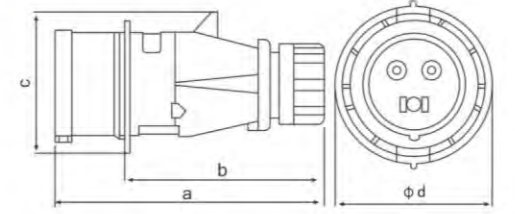
接地位置 Earth contact position	电压 Voltage (V)	额定电流 Rated current(A)	尺寸 Dimension(mm)			电缆标称截面积 Cable nominal cross-section area(mm ²)	极数 Pole	防护等级 Protection degress
			a	b	c			
6h	220~380 240~415	16	76	76	95	1~2.5	5	IP67
		32	76	85	105	2.5~6		

HS-P0131-4, HS-P0231-4



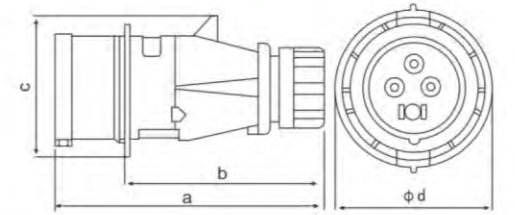
接地位置 Earth contact position	电压 Voltage (V)	额定电流 Rated current(A)	尺寸 Dimension(mm)				电缆标称截面积 Cable nominal cross-section area(mm ²)	极数 Pole	防护等级 Protection degress
			a	b	c	d			
4h	110~130	16	140	116	43.5	38.5	1~2.5	3	IP44
		32	173	144	57	51	2.5~6		

HS-P0131, HS-P0231



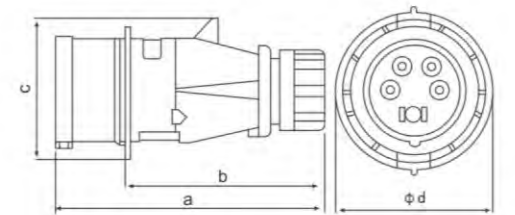
接地位置 Earth contact position	电压 Voltage (V)	额定电流 Rated current(A)	尺寸 Dimension(mm)				电缆标称截面积 Cable nominal cross-section area(mm ²)	极数 Pole	防护等级 Protection degress
			a	b	c	d			
4h	220~240	16	140	116	43.5	38.5	1~2.5	3	IP44
		32	173	144	57	51	2.5~6		

HS-P0141, HS-P0241



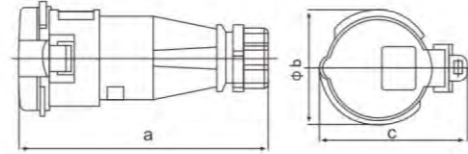
接地位置 Earth contact position	电压 Voltage (V)	额定电流 Rated current(A)	尺寸 Dimension(mm)				电缆标称截面积 Cable nominal cross-section area(mm ²)	极数 Pole	防护等级 Protection degress
			a	b	c	d			
6h	380~415	16	140	116	49.5	38.5	1~2.5	4	IP44
		32	173	144	57	51	2.5~6		

HS-P0151, HS-P0251



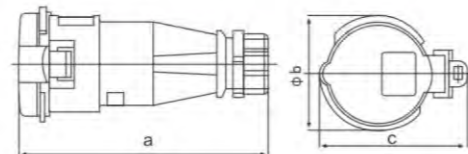
接地位置 Earth contact position	电压 Voltage (V)	额定电流 Rated current(A)	尺寸 Dimension(mm)				电缆标称截面积 Cable nominal cross-section area(mm ²)	极数 Pole	防护等级 Protection degress
			a	b	c	d			
6h	220~380 240~415	16	140	121	56	50	1~2.5	5	IP44
		32	173	144	63.3	56.5	2.5~6		

HS-C2131、HS-C2231



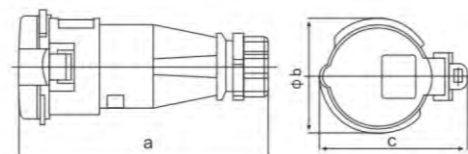
接地位置 Earth contact position	电压 Voltage (V)	额定电流 Rated current(A)	尺寸 Dimension(mm)			电缆标称截面积 Cable nominal cross-section area(mm ²)	极数 Pole	防护等级 Protection degree
			a	b	c			
6h	220~240	16	155	51.3	57	1~2.5	3	IP44
		32	200	64.2	71.6	2.5~6		

HS-C2141、HS-C2241



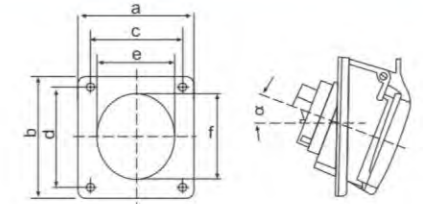
接地位置 Earth contact position	电压 Voltage (V)	额定电流 Rated current(A)	尺寸 Dimension(mm)			电缆标称截面积 Cable nominal cross-section area(mm ²)	极数 Pole	防护等级 Protection degree
			a	b	c			
6h	380~415	16	156.5	51.3	61.2	1~2.5	4	IP44
		32	200	64.2	71.6	2.5~6		

HS-C2151、HS-C2251



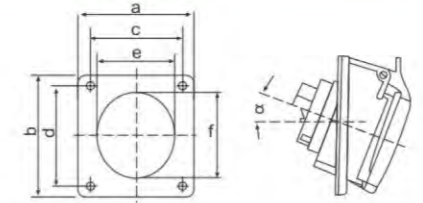
接地位置 Earth contact position	电压 Voltage (V)	额定电流 Rated current(A)	尺寸 Dimension(mm)			电缆标称截面积 Cable nominal cross-section area(mm ²)	极数 Pole	防护等级 Protection degree
			a	b	c			
6h	220~380 240~415	16	161.7	50.2	69	1~2.5	5	IP44
		32	200	70.8	79.5	2.5~6		

HS-S3131、HS-S3231



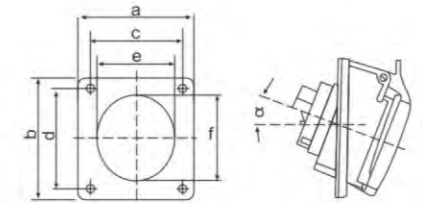
接地位置 Earth contact position	电压 Voltage (V)	额定电流 Rated current(A)	尺寸 Dimension(mm)						电缆标称截面积 Cable nominal cross-section area(mm ²)	极数 Pole	防护等级 Protection degree
			a	b	c	d	e	f			
6h	220~240	16	64	75	52	60	50	60	1~2.5	3	IP44
		32	93	101	77	85	73	86	2.5~6		

HS-S3141、HS-S3241



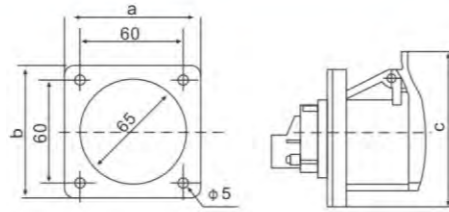
接地位置 Earth contact position	电压 Voltage (V)	额定电流 Rated current(A)	尺寸 Dimension(mm)						电缆标称截面积 Cable nominal cross-section area(mm ²)	极数 Pole	防护等级 Protection degree
			a	b	c	d	e	f			
6h	380~415	16	93	101	77	85	76	86	1~2.5	3	IP44
		32	93	101	77	85	73	86	2.5~6		

HS-S3151、HS-S3251



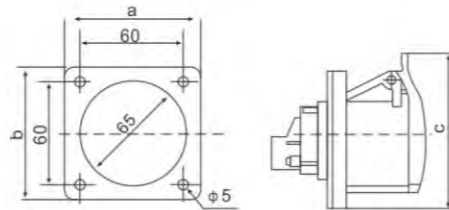
接地位置 Earth contact position	电压 Voltage (V)	额定电流 Rated current(A)	尺寸 Dimension(mm)						电缆标称截面积 Cable nominal cross-section area(mm ²)	极数 Pole	防护等级 Protection degree
			a	b	c	d	e	f			
6h	220~380 240~415	16	93	101	77	85	76	86	1~2.5	5	IP44
		32	93	101	77	85	73	86	2.5~6		

HS-S4131、HS-S4231



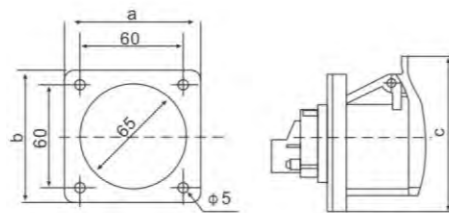
接地位置 Earth contact position	电压 Voltage (V)	额定电流 Rated current(A)	尺寸 Dimension(mm)			电缆标称截面积 Cable nominal cross-section area(mm ²)	极数 Pole	防护等级 Protection degress
			a	b	c			
6h	220~240	16	76	76	83	1~2.5	3	IP44
		32	76	85	99	2.5~6		

HS-S4141、HS-S4241



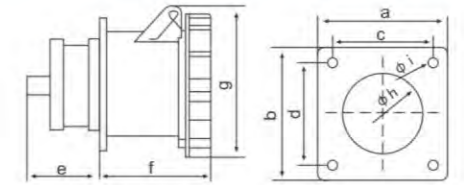
接地位置 Earth contact position	电压 Voltage (V)	额定电流 Rated current(A)	尺寸 Dimension(mm)			电缆标称截面积 Cable nominal cross-section area(mm ²)	极数 Pole	防护等级 Protection degress
			a	b	c			
6h	380~415	16	76	76	85	1~2.5	4	IP44
		32	76	85	95	2.5~6		

HS-S4151、HS-S4251



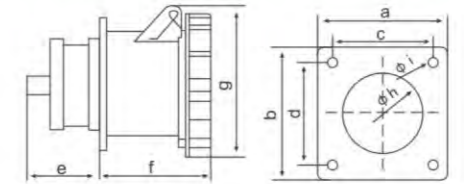
接地位置 Earth contact position	电压 Voltage (V)	额定电流 Rated current(A)	尺寸 Dimension(mm)			电缆标称截面积 Cable nominal cross-section area(mm ²)	极数 Pole	防护等级 Protection degress
			a	b	c			
6h	220~380 240~415	16	76	76	95	1~2.5	5	IP44
		32	76	85	105	2.5~6		

HS-4332、HS-4432



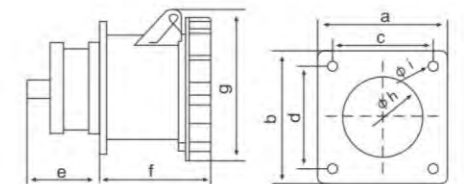
接地位置 Earth contact position	电压 Voltage (V)	额定电流 Rated current(A)	尺寸 Dimension(mm)							电缆标称截面积 Cable nominal cross-section area(mm ²)	极数 Pole	防护等级 Protection degress
			a×b	c×d	e	f	g	h	i			
6h	220~240	63	100	80	35	100	116	80	7	6~16	3	IP67
		125	120	100	45	104	127	100	7	16~50		

HS-4342、HS-4442



接地位置 Earth contact position	电压 Voltage (V)	额定电流 Rated current(A)	尺寸 Dimension(mm)							电缆标称截面积 Cable nominal cross-section area(mm ²)	极数 Pole	防护等级 Protection degress
			a×b	c×d	e	f	g	h	i			
6h	380~415	63	100	80	35	100	116	80	7	6~16	4	IP67
		125	120	100	45	104	127	100	7	16~50		

HS-4352、HS-4452

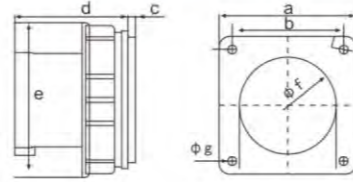


接地位置 Earth contact position	电压 Voltage (V)	额定电流 Rated current(A)	尺寸 Dimension(mm)							电缆标称截面积 Cable nominal cross-section area(mm ²)	极数 Pole	防护等级 Protection degress
			a×b	c×d	e	f	g	h	i			
6h	220~380 240~415	63	100	80	35	100	116	80	7	6~16	5	IP67
		125	120	100	45	104	127	100	7	16~50		

工业插头插座

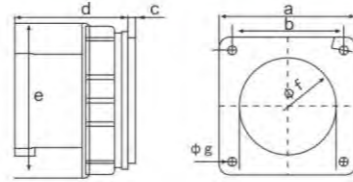
Industrial plug socket

HS-6332、HS-6432



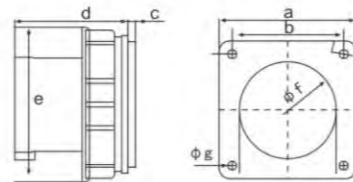
接地位置 Earth contact position	电压 Voltage (V)	额定电流 Rated current(A)	尺寸 Dimension(mm)							电缆标称截面积 Cable nominal cross-section area(mm ²)	极数 Pole	防护等级 Protection degress
			a	b	c	d	e	f	g			
6h	220~240	32	105	85	25	91	116	75	6.5	6~16	3	IP67
		63	120	100	25	102	124	100	6.5	16~50		

HS-6342、HS-6442



接地位置 Earth contact position	电压 Voltage (V)	额定电流 Rated current(A)	尺寸 Dimension(mm)							电缆标称截面积 Cable nominal cross-section area(mm ²)	极数 Pole	防护等级 Protection degress
			a	b	c	d	e	f	g			
6h	380~415	32	105	85	25	91	116	75	6.5	6~16	3	IP67
		63	120	100	25	102	124	100	6.5	16~50		

HS-6352、HS-6452

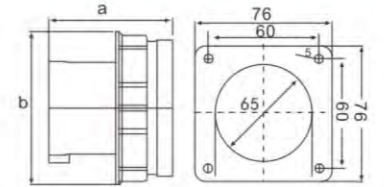


接地位置 Earth contact position	电压 Voltage (V)	额定电流 Rated current(A)	尺寸 Dimension(mm)							电缆标称截面积 Cable nominal cross-section area(mm ²)	极数 Pole	防护等级 Protection degress
			a	b	c	d	e	f	g			
6h	220~380 240~415	32	105	85	25	91	116	75	6.5	6~16	5	IP67
		63	120	100	25	102	124	100	6.5	16~50		

工业插头插座

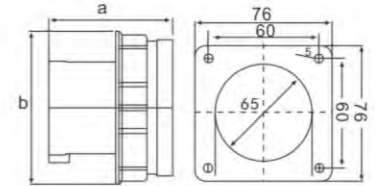
Industrial plug socket

HS-6132、HS-6232



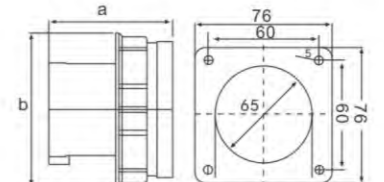
接地位置 Earth contact position	电压 Voltage (V)	额定电流 Rated current(A)	尺寸 Dimension(mm)		电缆标称截面积 Cable nominal cross-section area(mm ²)	极数 Pole	防护等级 Protection degress
			a	b			
6h	220~240	16	63	70	1~2.5	3	IP67
		32	74	93	2.5~6		

HS-6142、HS-6242



接地位置 Earth contact position	电压 Voltage (V)	额定电流 Rated current(A)	尺寸 Dimension(mm)		电缆标称截面积 Cable nominal cross-section area(mm ²)	极数 Pole	防护等级 Protection degress
			a	b			
6h	220~240	16	63	78	1~2.5	4	IP67
		32	74	93	2.5~6		

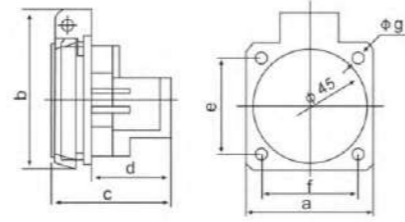
HS-6152、HS-6252



接地位置 Earth contact position	电压 Voltage (V)	额定电流 Rated current(A)	尺寸 Dimension(mm)		电缆标称截面积 Cable nominal cross-section area(mm ²)	极数 Pole	防护等级 Protection degress
			a	b			
6h	220~380 240~415	16	63	78	1~2.5	5	IP67
		32	74	93	2.5~6		

工业插头插座 Industrial plug socket

HS-112R



电压 Voltage (V)	额定电流 Rated current(A)	尺寸 Dimension(mm)							电缆标称截面积 Cable nominal cross-section area(mm ²)	极数 Pole	防护等级 Protection degress
		a	b	c	d	e	f	g			
220~240	16	50.6	65	42	26	38.2	38.2	4.5	1~1.25	3	IP44

HS-112C



电压 Voltage (V)	额定电流 Rated current(A)	防护等级 Protection degress
220~240	16	IP44

HS-112C-5



电压 Voltage (V)	额定电流 Rated current(A)	防护等级 Protection degress
220~240	16	IP44

HS-012



电压 Voltage (V)	额定电流 Rated current(A)	防护等级 Protection degress
220~240	16	IP44

不锈钢插座电源箱 Stainless steel socket power box

订货号: HS-405018 2N1
Order Code



订货号: HS-506020 2N1
Order Code



订货号: HS-304016 2W1
Order Code



订货号: HS-506020 2W1
Order Code



订货号: HS-605020 2N1
Order Code



订货号: HS-504018 2W1
Order Code



不锈钢插座电源箱
Stainless steel socket power box

备忘录
memorandum

订货号: HS-507025 2W1
Order Code



订货号: HS-304516
Order Code



订货号: HS-405220-2W1
Order Code



订货号: HS-606020-2W1
Order Code



订货号: HS-506016-2W1
Order Code



订货号: HS-506020 2W2
Order Code



